

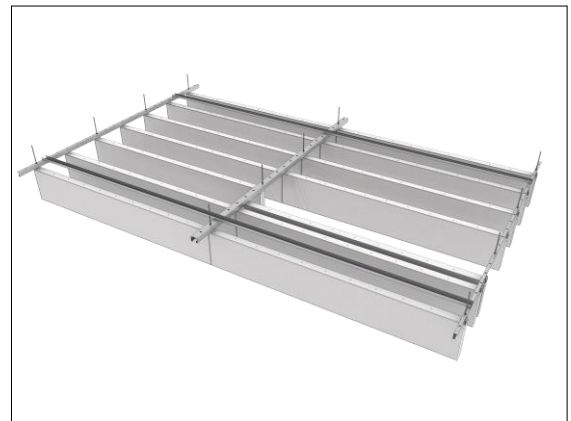
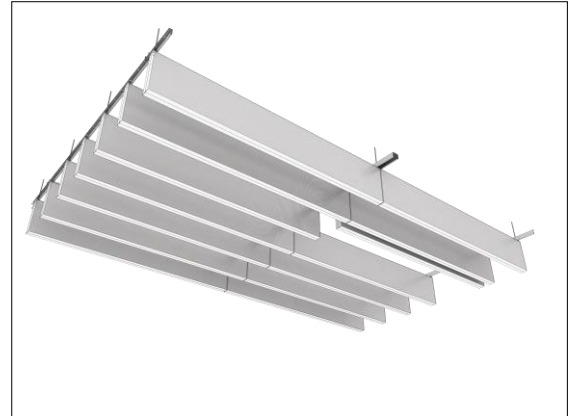


LMD-L 608

Metal baffle ceiling, Hook-On/Slide baffle, Two-Piece


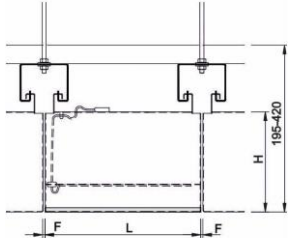
This high-grade baffle ceiling is especially suitable for areas with increased maintenance demands. Due to movable two-piece baffles, you can comfortably reach the ceiling void. The linear baffles can quickly and easily be installed in different sizes and centre distances. Free spaces between the baffles can be used for different installations such as luminaires, sprinklers or for the suspension of signs.

- freely selectable centre distances and baffle dimensions
- independent installation of luminaires and fixtures possible between baffles
- visible ceiling void
- easy and quick installation
- easy maintenance option due to baffles that can be individually slid without tools





Ceiling elements

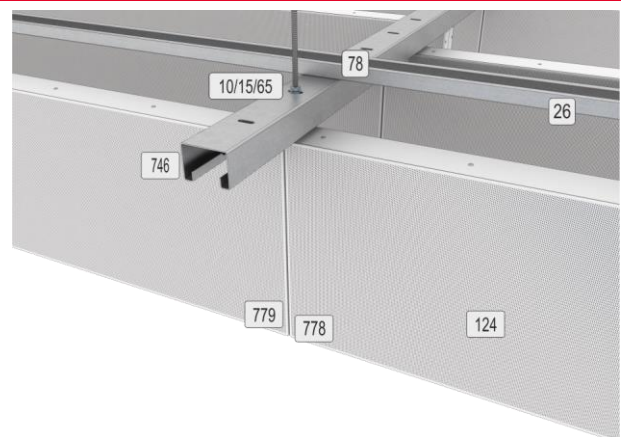
LMD-L 608 Type 2		 
two-piece		
Length (L)	500 - 3,000 mm	
Width (B)	35 - 100 mm	
Height (H)	120 - 500 mm	
Joint width (F)	3 mm	
LMD-L 608 Type 3 Shine		 
one-piece, with luminaire LShine		
Length (L)	500 - 3,000 mm	
Width (B)	50 mm	
Height (H)	100 - 325 mm	
Joint width (F)	3 mm	

Technical data

Material	galvanised sheet steel
Weight	approx. 3 - 7 kg/m (without fixtures/installations)
Serviceability	slide option or removable without tools

Component list

10/15/65	threaded rod suspension
26	suspension channel 60
78	self-drilling screw hexagon head
124	metal baffle
746	double hook-on profile 54/L
778	self-tapping screw with countersunk head
779	disc magnet





Acoustics

Room acoustics

Rated sound absorption coefficient	DIN EN ISO 11654	α_w	0.15 - 0.70
Sound absorber class	DIN EN ISO 11654		E - C
Noise Reduction Coefficient	ASTM C 423	NRC	0.15 - 0.70

Fire protection

Building material class

Building material class (COLOURline A1)	DIN EN 13501-1	A1
Building material class (COLOURline)	DIN EN 13501-1	A2 - s1, d0
Building material class	ASTM E 84	Class A

Durability

Exposure class	DIN EN 13964	A
----------------	--------------	---

Sustainability

Product self-declaration	Self-declaration according to ISO 14021
Environmental product declaration	EPD according to EN 15804 / ISO 14025
Circular Economy	Cradle to Cradle Certified® Gold
French VOC Regulation	Emission class A+

Certification

CE marking	The ceiling system is a harmonised construction product acc. to regulation (EU) No. 305/2011 (Construction Products Regulation) and EN 13964: Suspended ceilings - Requirements and test methods.
TAIM e.V.	The ceiling system fulfils the requirements of the "Technical Manual Metal Ceilings" (TMMC) of TAIM e.V. (Association of Industrial Metal Ceiling Manufacturers).

Surfaces

Powder coatings	<u>COLOURline - Powder coating</u> <u>COLOURline A1 - Powder coating non-combustible</u> <u>MOODline - Powder coating, deep matt</u> <u>ARTline - Decor Powder coating</u>
Perforations	<u>BASICline - Standard perforations</u> <u>REGULARline - Further perforations</u> <u>SPREADline - Scattered perforations</u>



Additional equipment

Acoustic inlays	<u>Acustica - Acoustic fabric inlay</u> <u>Insula - Mineral wool inlay in acoustic foil</u>
Luminaires	<u>LShine - Baffle luminaire</u>
Heating and cooling function	System with integrated heating and cooling technology is available: <u>Plafotherm® L 608</u>

Application examples



Project solutions

This product data sheet refers to the standard version of the product mentioned above. We would be happy to work with you to find the right solution for your project. Adapted to your building project, you will receive a perfectly matched system. Project-specific constructions and adaptations can be found in the offer documents.