

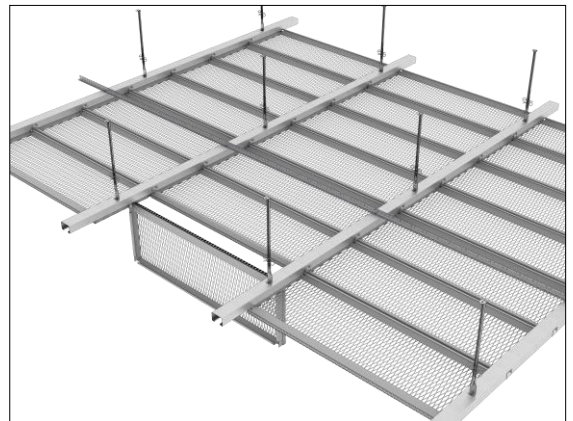
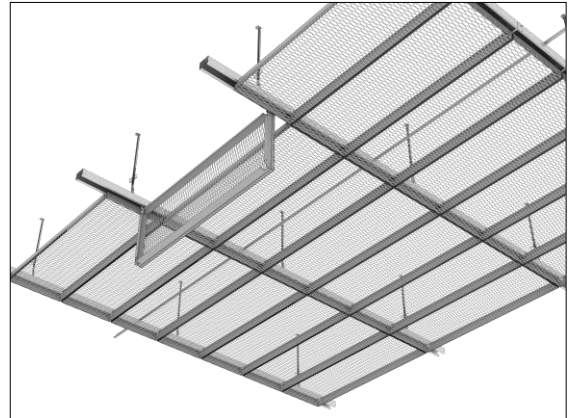


## LMD-St 213

### Hook-On expanded metal ceiling with accentuated joints


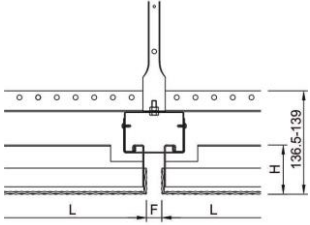

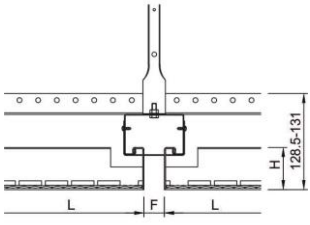

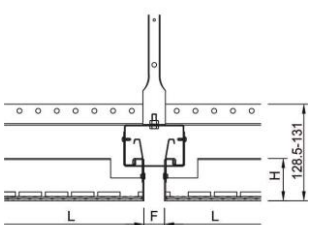
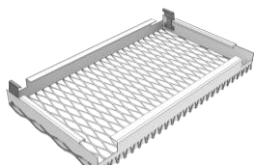
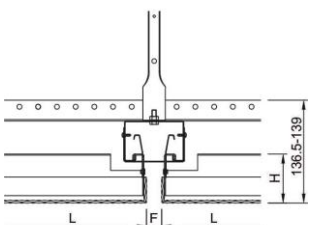
The system LMD-St 213 impresses with design freedom and ease of maintenance. Diverse mesh types, shapes and sizes are available. The ceiling panels can be removed – a combination with Swing-Down ceiling panels is also possible. Create visual highlights with accentuated joints up to 30 mm, or expanded ceiling panels with backlighting.

- homogeneous ceiling surface due to concealed substructure
- many design possibilities thanks to different mesh types, shapes and sizes
- the possibility to see – to a greater or lesser extent – into the ceiling void depends on the mesh or the requirement
- installation of illumination or further fixtures in the ceiling void is possible in case of a high open area
- ceiling layout with accentuated joints in both directions possible
- easy maintenance option due to ceiling panels that can be individually operated, swung down and slid without tools


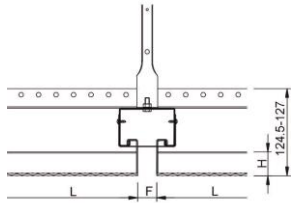

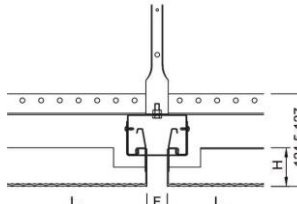




## Ceiling elements

<b>LMD-St 213 Type 3</b>			
<b>Hook-On, expanded metal turned up</b>			
Length (L)	250 - 3,000 mm		
Width (B)	200 - 1,250 mm		
Height (H)	63.5 - 66 mm		
Joint width (F)	10, 15, 20, 25, 30 mm		
<b>LMD-St 213 Type 4</b>			
<b>Hook-On, expanded metal bordered</b>			
Length (L)	250 - 3,000 mm		
Width (B)	200 - 1,250 mm		
Height (H)	55.5 - 58 mm		
Joint width (F)	10, 15, 20, 25, 30 mm		
<b>LMD-St 213 Type 5</b>			
<b>Hook-On/Swing-Down, expanded metal bordered</b>			
Length (L)	250 - 3,000 mm		
Width (B)	200 - 1,250 mm		
Height (H)	55.5 - 58 mm		
Joint width (F)	10, 15, 20, 25, 30 mm		
<b>LMD-St 213 Type 6</b>			
<b>Hook-On/Swing-Down, expanded metal turned up</b>			
Length (L)	250 - 3,000 mm		
Width (B)	200 - 1,250 mm		
Height (H)	63.5 - 66 mm		
Joint width (F)	10, 15, 20, 25, 30 mm		

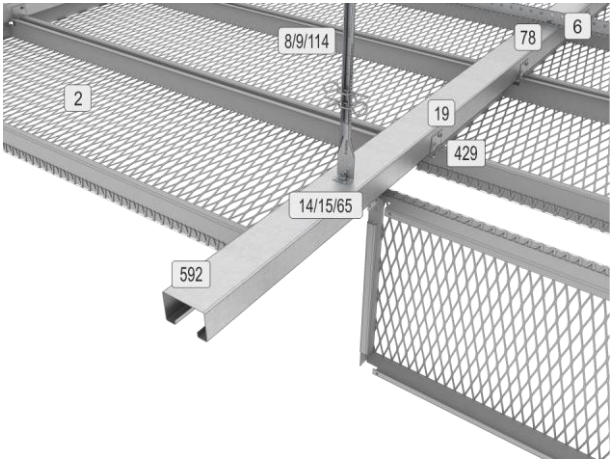


<b>LMD-St 213 Type 8</b>		 
<b>Hook-On, expanded metal placed on frame</b>		
Length (L)	250 - 2,000 mm	
Width (B)	200 - 625 mm	
Height (H)	33.5 - 36 mm	
Joint width (F)	10, 15, 20, 25, 30 mm	
<b>LMD-St 213 Type 9</b>		 
<b>Hook-On/Swing-Down, expanded metal placed on frame</b>		
Length (L)	250 - 2,000 mm	
Width (B)	200 - 625 mm	
Height (H)	51.5 - 54 mm	
Joint width (F)	10, 15, 20, 25, 30 mm	

## Technical data

Material	galvanised sheet steel
Weight	approx. 16 - 18 kg/m <sup>2</sup> (without fixtures/installations)
Serviceability	swing-down and slide option without tools or removable
Wall connection options	L-angle, shadow gap trim, open wall connection

## Component list

2	expanded metal ceiling panel	
6	L-profile 28	
8/9/114	vernier suspension	
14/15/65	screwing	
19	self-drilling screw fillister head	
78	self-drilling screw hexagon head with flange	
429	spacer for double hook-on profile 54	
592	double hook-on profile 54	



## Acoustics

### Room acoustics

bewerteter Schallabsorptionsgrad	DIN EN ISO 11654	$\alpha_w$	0.15 - 1.00
Schallabsorberklasse	DIN EN ISO 11654		E - A
Noise Reduction Coefficient	ASTM C 423	NRC	0.15 - 0.90

## Fire protection

### Building material class

Building material class	DIN EN 13501-1	A2 - s1,d0
Building material class	ASTM E 84	Class A
<b>Fire stability</b>		
Fire stability	EN 13501-2	30 minutes

## Durability

Exposure class	DIN EN 13964	A
----------------	--------------	---

## Sustainability

Product self-declaration	Self-declaration according to ISO 14021
Environmental product declaration	EPD according to EN 15804 / ISO 14025
Circular Economy	Cradle to Cradle Certified® Gold
French VOC Regulation	Emission class A+

## Statics

Seismic Safety	qualification according to AC 156/Eurocode/SIA 261
----------------	--

## Certification

CE marking	The ceiling system is a harmonised construction product acc. to regulation (EU) No. 305/2011 (Construction Products Regulation) and EN 13964: Suspended ceilings - Requirements and test methods.
TAIM e.V.	The ceiling system fulfils the requirements of the "Technical Manual Metal Ceilings" (TMMC) of TAIM e.V. (Association of Industrial Metal Ceiling Manufacturers).

## Surfaces

Powder coatings	<u>COLOURline - Powder coating</u> <u>MOODline - Powder coating deep matt</u>
Expanded metal	<u>MESHdesign - Standard expanded metal</u> <u>MESHdesign Viva - 3D expanded metal</u>
Functional coatings	<u>Meteo - Corrosion protection coating</u>



## Additional equipment

Acoustic inlays	<u>Acustica - Acoustic fabric inlay</u> <u>Calma - Glass yarn inlay in textile cover</u>
Luminaires	<u>LK 73 - Light channel</u>
Inspection hatches	<u>LMD-RK 20 - Inspection hatch expanded metal</u>
Absorbers	<u>LMD-Absorber - Type 1   Type 5</u>
Heating and cooling function	System with integrated heating and cooling technology is available: <u>Plafotherm® St 213</u>
Ball-impact resistance	System with tested ball-impact resistance is available: <u>LMD-St 213 BWS</u>

## Application examples



© Flughafen München



© Eric Laignel Photography

## Project solutions

This product data sheet refers to the standard version of the product mentioned above. We would be happy to work with you to find the right solution for your project. Adapted to your building project, you will receive a perfectly matched system. Project-specific constructions and adaptations can be found in the offer documents.