



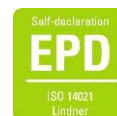
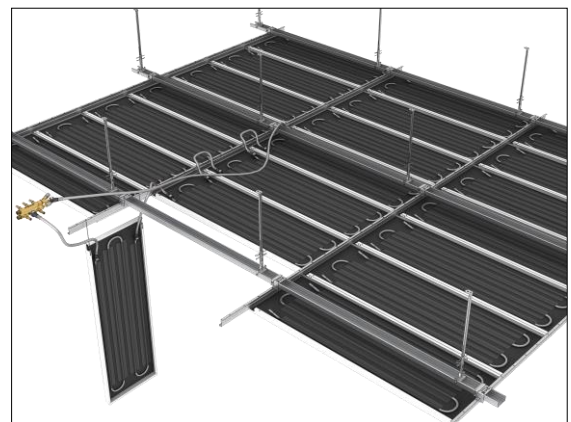
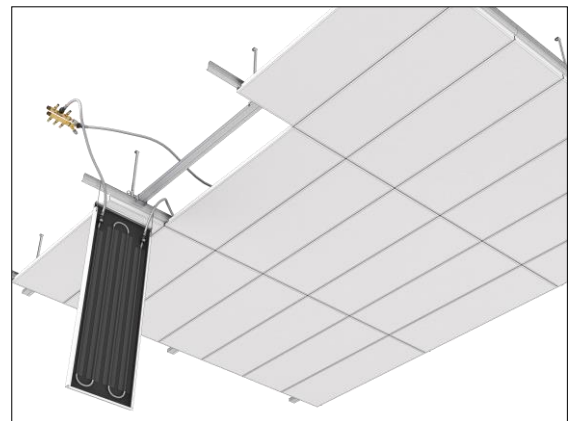
Plafotherm® E 200

Heated and Chilled Hook-On Ceiling

Product description

This Hook-On ceiling economically creates a pleasant room climate thanks to heating and cooling by means of radiation. Overlapping metal ceiling panels generate a homogeneous ceiling surface with concealed substructure. Different panel shapes and sizes can be realised and offer design freedom. For maintenance works, the ceiling panels can easily be removed without the need for any tools. On demand, thermally active and passive areas can be combined.

- heating/cooling by means of radiation creates a pleasant room climate
- flexibility thanks to the combination of thermally active and passive areas
- homogeneous ceiling surface due to concealed substructure
- individual design thanks to flexible panel shapes and sizes
- easy maintenance option of ceiling panels without tools
- cost-effective chilled ceiling system as economic solution
- hygienic and easy to clean


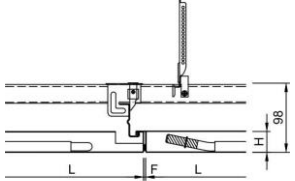
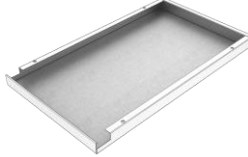
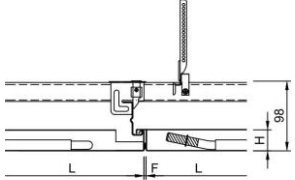

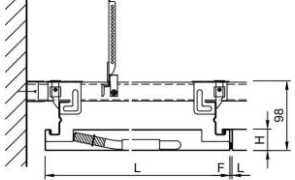


Project solutions

This product data sheet refers to the standard version of the product mentioned above. We would be happy to work with you to find the right solution for your project. Adapted to your building project, you will receive a perfectly matched system. Project-specific constructions and adaptations can be found in the offer documents.



Ceiling elements

Plafotherm® E 200 type 2		 
Hook-On/Lay-On		
Length (L)	500 - 3,000 mm	
Width (B)	200 - 1,250 mm	
Height (H)	30, 50 mm	
Joint width (F)	butt joint, 1, 3 or 5 mm	
Plafotherm® E 200 type 3		 
Hook-On/Lay-On self-aligning		
Length (L)	500 - 3,000 mm	
Width (B)	200 - 1,250 mm	
Height (H)	30, 50 mm	
Joint width (F)	butt joint, 1, 3 or 5 mm	
Plafotherm® E 200 type 4		 
Hook-On on both sides		
Length (L)	500 - 3,000 mm	
Width (B)	200 - 1,250 mm	
Height (H)	30, 50 mm	
Joint width (F)	butt joint, 1, 3 or 5 mm	

Technical data

Material ceiling panel	galvanised sheet steel
Weight	approx. 14 - 16 kg/m ² (without fixtures/installations)
Serviceability	removable without tools
Wall connection options	L-angle, shadow gap trim, open wall connection



Component list

1	metal ceiling panel
8/9/121	vernier suspension
18	self-tapping screw trapezoidal head
23	Z-hook-on profile 48
24	cross connector for suspension channel 60 to Z-hook-on profile 48
26	suspension channel 60
437	heating and cooling coil
479	Plafotube® connecting/connection hose
505	fit-up aid



Acoustics

Room acoustics

Rated sound absorption coefficient	DIN EN ISO 11654	α_w	0.45 (L) - 0.80
Sound absorption class	DIN EN ISO 11654		D - B
Noise Reduction Coefficient	ASTM C 423	NRC	0.60 - 0.80

Fire protection

Building material class

Building material class	DIN EN 13501-1	A2 - s1, d0
Building material class	ASTM E 84	Class A

Fire stability

Fire stability	NBN 713.020	45 minutes
----------------	-------------	------------

Durability

Exposure class	DIN EN 13964	A
----------------	--------------	---

HVAC

Heating and cooling

Heating and cooling technology	Plafotherm® V2A	Plafotherm® Cu	Plafotherm® Cu Acoustic
Nominal cooling capacity (10 K) according to EN 14240 in relation to the active area	109 W/m ²	112 W/m ²	102 W/m ²
Nominal heating capacity (15 K) according to EN 14037:2003 in relation to the active area	123 W/m ²	126 W/m ²	118 W/m ²



Sustainability

Product self-declaration	Self-declaration according to ISO 14021
Environmental product declaration	EPD according to EN 15804 / ISO 14025
Circular Economy	Cradle to Cradle Certified® Silver
French VOC Regulation	Emission class A+

Surfaces

Powder coatings	<u>COLOURline – Powder coating</u> <u>MOODline – Powder coating, deep matt</u> <u>ARTline – Decorative powder coating</u> <u>GRAPHICline – Digital print</u>
Perforations	<u>BASICline – Standard perforations</u> <u>REGULARline – Further perforations</u> <u>SPREADline – Customised perforations</u>

Statics

Seismic safety	qualification according to AC 156/Eurocode/SIA 261
----------------	--

Certification

CE marking	The ceiling system is a harmonised construction product acc. to regulation (EU) No. 305/2011 (Construction Products Regulation) and EN 13964: Suspended ceilings – Requirements and test methods.
TAIM e. V.	The ceiling system fulfils the requirements of the "Technical Manual Metal Ceilings" (TMMC) of TAIM e. V. (Association of Industrial Metal Ceiling Manufacturers).

Additional equipment

Acoustic inlays	<u>Acustica - Acoustic fabric inlay</u> <u>Insula - Mineral wool inlay in acoustic foil</u>
Ventilation components	<u>AirBox S - Supply air elements</u> <u>AirBox E - Exhaust air elements</u> <u>AirBeam Basic - Standard Heated/Chilled beam</u> <u>AirBeam Discreet - Discreet Heated/Chilled beam</u>
Hydraulic components	<u>Plafotube® MQC - Connecting/Connection hose with</u> <u>MultiQuickConnect</u> <u>Fittings - Distribution system</u>
Luminaires	Lindner luminaires and luminaires from other manufacturers possible <u>IS 17 - Integrated Luminaire for general areas</u> <u>IS 22 - Integrated Luminaire for monitor work stations</u> <u>IS 450 - Integrated Luminaire for Office and General areas</u> <u>LK 73 - Light channel</u> <u>QZI - Integrated luminaire with cell louvres</u> <u>DPL - Integrated luminaire for post cap ceilings</u>



Applications



© Constantin Meyer, Köln