



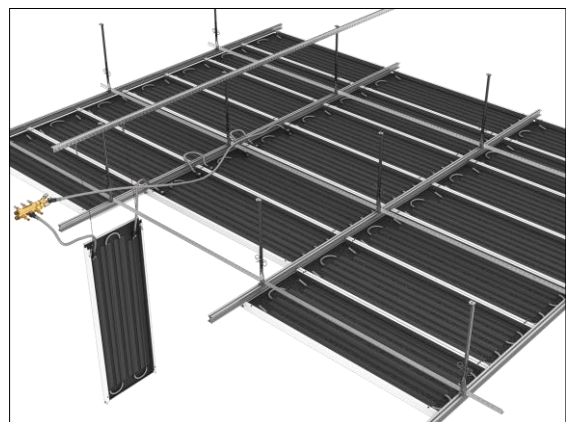
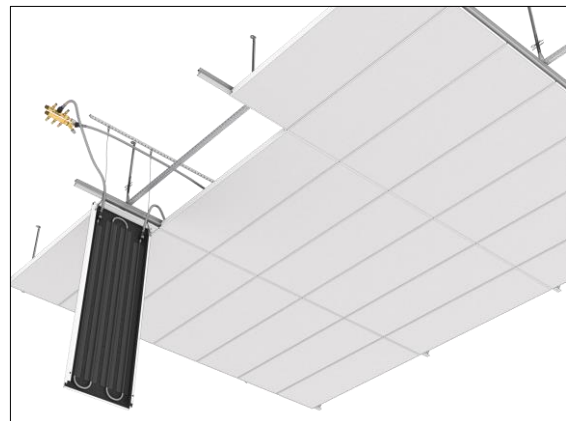
Plafotherm® E 210

Heated and Chilled Hook-On Ceiling with butt joint

Product description

The ceiling system with concealed substructure and continuous butt joints creates a pleasant climate and homogeneous ceiling surface in your rooms. Self-adjusting ceiling panels that can individually be removed without tools ensure an automatic joint alignment. The maintenance-friendly Hook-On ceiling with low construction height is an economic solution. You are very flexible in the combination of thermally active and passive areas.

- heating/cooling by means of radiation creates a pleasant room climate
- flexibility thanks to the combination of thermally active and passive areas
- homogeneous ceiling surface due to concealed substructure
- ceiling layout with continuous butt joint
- automatic joint alignment thanks to self-adjusting ceiling panels
- space-saving ceiling system with low construction height
- easy maintenance option due to ceiling panels that can be individually operated without tools
- cost-effective chilled ceiling system as economic solution
- hygienic and easy to clean



Project solutions


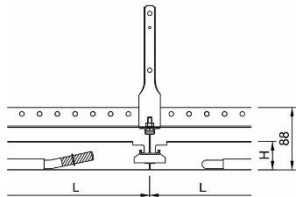
This product data sheet refers to the standard version of the product mentioned above.

We would be happy to work with you to find the right solution for your project. Adapted to your building project, you will receive a perfectly matched system. Project-specific constructions and adaptations can be found in the offer documents.



Ceiling elements

Plafotherm® E 210 type 1			
Hook-On			
Length (L)	500 - 1,900 mm	500 - 1,600 mm	500 - 1,300 mm
Width (B)	200 - 400 mm	200 - 500 mm	200 - 600 mm
Height (H)	approx. 40 mm		
Joint width (F)	butt joint		

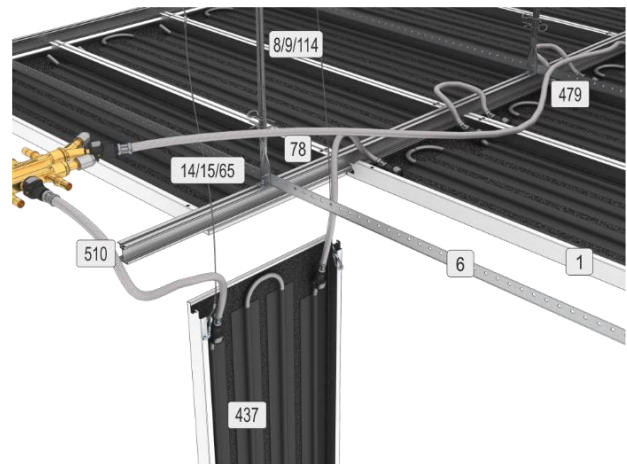



Technical data

Material ceiling panel	galvanised sheet steel
Weight	approx. 14 - 16 kg/m ² (without fixtures/installations)
Serviceability	removable without tools
Wall connection options	L-angle, shadow gap trim, open wall connection

Component list

1	metal ceiling panel
6	L-profile 28
8/9/114	vernier suspension
14/15/65	screwing
78	self-drilling screw hexagon head
437	heating and cooling coil
479	PlafoTube® connecting/connection hose
510	T-hook-on profile



Acoustics

Room acoustics

Rated sound absorption coefficient	DIN EN ISO 11654	α_w	0.45 (L) - 0.80
Sound absorption class	DIN EN ISO 11654		D - B
Noise Reduction Coefficient	ASTM C 423	NRC	0.60 - 0.80

Fire protection

Building material class

Building material class	DIN EN 13501-1	A2 - s1, d0
Building material class	ASTM E 84	Class A



Durability

Exposure class	DIN EN 13964	A
----------------	--------------	---

HVAC

Heating and cooling

Heating and cooling technology	Plafotherm® V2A	Plafotherm® Cu	Plafotherm® Cu Acoustic
Nominal cooling capacity (10 K) according to EN 14240 in relation to the active area	109 W/m ²	112 W/m ²	102 W/m ²
Nominal heating capacity (15 K) according to EN 14037:2003 in relation to the active area	123 W/m ²	126 W/m ²	118 W/m ²

Sustainability

Product self-declaration	Self-declaration according to ISO 14021
Environmental product declaration	EPD according to EN 15804 / ISO 14025
Circular Economy	Cradle to Cradle Certified® Silver
French VOC Regulation	Emission class A+

Surfaces

Powder coatings	<u>COLOURline – Powder coating</u> <u>MOODline – Powder coating, deep matt</u> <u>ARTline – Decorative powder coating</u> <u>GRAPHICline – Digital print</u>
Perforations	<u>BASICline – Standard perforations</u> <u>REGULARline – Further perforations</u>

Certification

CE marking	The ceiling system is a harmonised construction product acc. to regulation (EU) No. 305/2011 (Construction Products Regulation) and EN 13964: Suspended ceilings – Requirements and test methods.
TAIM e. V.	The ceiling system fulfils the requirements of the "Technical Manual Metal Ceilings" (TMMC) of TAIM e. V. (Association of Industrial Metal Ceiling Manufacturers).



Additional equipment

Acoustic inlays	<u>Acustica – Acoustic fabric inlay</u> <u>Insula – Mineral wool inlay in acoustic foil</u>
Hydraulic components	<u>Plafotube® MQC – Connecting/Connection hose with MultiQuickConnect</u> <u>Fittings – Distribution system</u>
Luminaires	Lindner luminaires and luminaires from other manufacturers possible <u>IS 17 – Integrated Luminaire for general areas</u> <u>IS 22 – Integrated Luminaire for monitor work stations</u> <u>IS 450 – Integrated Luminaire for Office and General areas</u> <u>LK 73 – Light channel</u> <u>QZI – Integrated luminaire with cell louvres</u> <u>DPL – Integrated luminaire for post cap ceilings</u>

Applications



© Jaguar Land Rover Germany, Gudrun Muschalla