

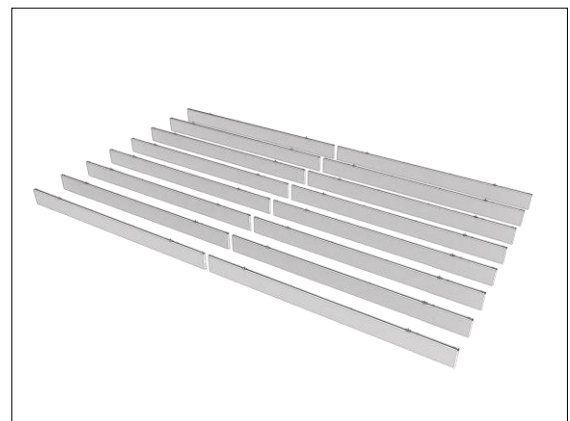
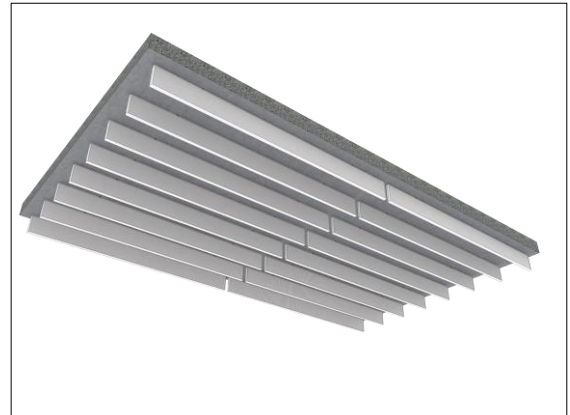


LMD-L 607

Metal baffle ceiling, directly fastened


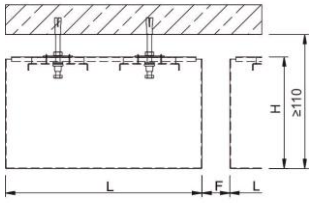

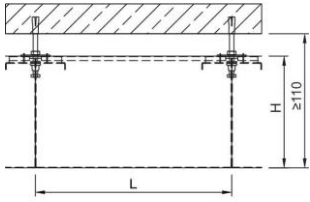
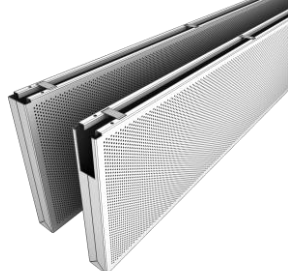
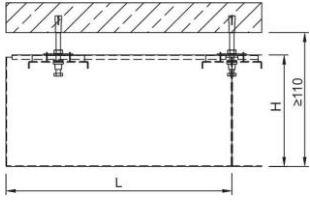
This baffle ceiling impresses with its very low suspension height – the special suspension without substructure profiles is directly fastened to the concrete ceiling. Thus, the ceiling is the appropriate solution for low room heights. Freely selectable baffle distances and sizes guarantee design freedom. The visible ceiling void between the baffles can be used for diverse installations.

- freely selectable centre distances and baffle dimensions
- independent installation of luminaires and fixtures possible between baffles
- visible ceiling void
- easy and quick installation
- space-saving ceiling system with low construction height





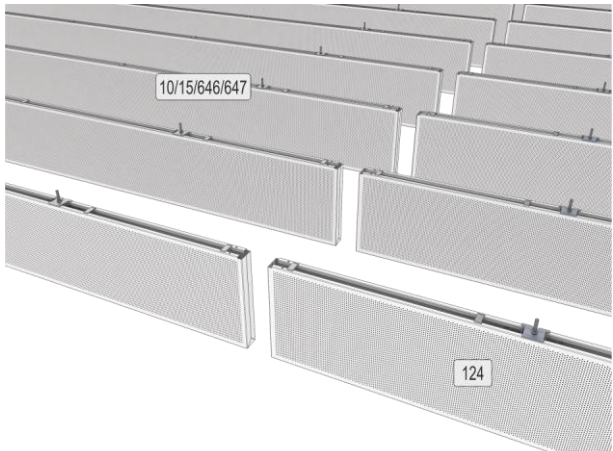
Ceiling elements

LMD-L 607 Type 1		 
one-piece, closed/closed		
Length (L)	300 - 3,000 mm	
Width (B)	30, 35, 40, 45, 50, 55 mm	
Height (H)	80 - 325 mm	
Joint width (F)	≥ 50 mm	
LMD-L 607 Type 2		 
one-piece, open/open		
Length (L)	300 - 3,000 mm	
Width (B)	30, 35, 40, 45, 50, 55 mm	
Height (H)	80 - 325 mm	
LMD-L 607 Type 3		 
one-piece, closed/open		
Length (L)	300 - 3,000 mm	
Width (B)	30, 35, 40, 45, 50, 55 mm	
Height (H)	80 - 325 mm	

Technical data

Material	galvanised sheet steel
Weight	approx. 3 - 4 kg/m (without fixtures/installations)

Component list

10/15/646/647	direct suspension	
124	metal baffle	



Acoustics

Room acoustics

Rated sound absorption coefficient	DIN EN ISO 11654	α_w	0.15 - 0.70
Sound absorber class	DIN EN ISO 11654		E - C
Noise Reduction Coefficient	ASTM C 423	NRC	0.15 - 0.70

Fire protection

Building material class

Building material class	DIN EN 13501-1	A2 - s1,d0
Building material class	ASTM E 84	Class A

Durability

Exposure class	DIN EN 13964	A
----------------	--------------	---

Sustainability

Product self-declaration	Self-declaration according to ISO 14021
Environmental product declaration	EPD according to EN 15804 / ISO 14025
Circular Economy	Cradle to Cradle Certified® Gold
French VOC Regulation	Emission class A+

Certification

CE marking	The ceiling system is a harmonised construction product acc. to regulation (EU) No. 305/2011 (Construction Products Regulation) and EN 13964: Suspended ceilings - Requirements and test methods.
TAIM e.V.	The ceiling system fulfils the requirements of the "Technical Manual Metal Ceilings" (TMMC) of TAIM e.V. (Association of Industrial Metal Ceiling Manufacturers).

Surfaces

Powder coatings	<u>COLOURline - Powder coating</u> <u>ARTline - Decor Powder coating</u>
Perforations	<u>BASICline - Standard perforations</u> <u>REGULARline - Further perforations</u> <u>SPREADline - Scattered perforations</u>

Additional equipment

Akustikeinlagen	<u>Acustica - Acoustic fabric inlay</u> <u>Insula - Mineral wool inlay in acoustic foil</u>
-----------------	--



Application examples



Project solutions

This product data sheet refers to the standard version of the product mentioned above. We would be happy to work with you to find the right solution for your project. Adapted to your building project, you will receive a perfectly matched system. Project-specific constructions and adaptations can be found in the offer documents.