

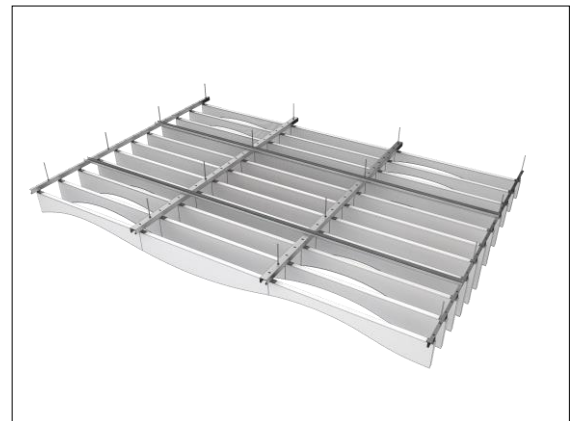


## LMD-L LAOLA

### Metal baffle ceiling in wavelike design


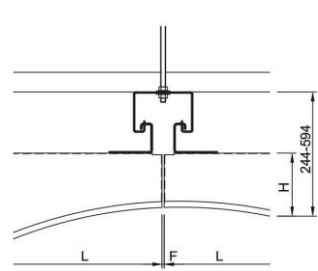

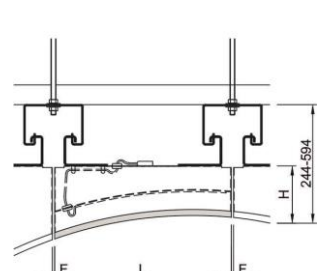
12LMD-L LAOLA with wavelike baffles is a design solution that creates vivid, three-dimensional effects. Design your individual baffle ceiling thanks to a multitude of possible radii, centre distances and sizes. The curved baffle ceiling is very maintenance-friendly due to baffles that can be slid without the need for any tools. Fixtures can independently be installed between the baffles.

- three-dimensional design by means of wavelike baffles with concave and convex radii
- freely selectable centre distances and baffle dimensions
- independent installation of luminaires and fixtures possible between baffles
- visible ceiling void
- easy and quick installation
- easy maintenance option due to baffles that can be individually slid without tools
- Finalist German sustainability award in the category design





## Ceiling elements

<b>LMD-LAOLA Type 1</b>		 
<b>one-piece</b>		
Length (L)	500 - 2,500 mm	
Width (B)	50 mm	
Height (H)	100 - 500 mm	
Radius (R)	min. 1,500 mm	
Joint width (F)	3 mm	
Perforation	REGULARline Rd 1,8-10, REGULARline Rg 1,8-11, REGULARline Rg 1,8-19, REGULARline Rv 1,8-20, REGULARline Rd 1,8-21	
<b>LMD-L LAOLA Shine</b>		 
<b>one-piece, with luminaire LShine</b>		
Length (L)	500 - 2,500 mm	
Width (B)	50 mm	
Height (H)	100 - 500 mm	
Radius (R)	min. 1,500 mm	
Joint width (F)	3 mm	
Perforation	REGULARline Rd 1,8-10, REGULARline Rg 1,8-11, REGULARline Rg 1,8-19, REGULARline Rv 1,8-20, REGULARline Rd 1,8-21	

## Technical data

Material	galvanised sheet steel
Weight	approx. 4 - 8 kg/m (without fixtures/installations)
Serviceability	slide option or removable without tools



## Component list

10/15/65	threaded rod suspension
26	suspension channel 60
78	self-drilling screw hexagon head
124	metal baffle
746	double hook-on profile 54/L
778	self-tapping screw with countersunk head
779	disc magnet



## Fire protection

### Building material class

Building material class	DIN EN 13501-1	B - s1,d0
-------------------------	----------------	-----------

### Durability

Exposure class	DIN EN 13964	A
----------------	--------------	---

### Sustainability

Product self-declaration	Self-declaration according to ISO 14021
Environmental product declaration	EPD according to EN 15804 / ISO 14025
Circular Economy	Cradle to Cradle Certified® Gold
French VOC Regulation	Emission class A+

### Certification

CE marking	The ceiling system is a harmonised construction product acc. to regulation (EU) No. 305/2011 (Construction Products Regulation) and EN 13964: Suspended ceilings - Requirements and test methods.
TAIM e.V.	The ceiling system fulfils the requirements of the "Technical Manual Metal Ceilings" (TMMC) of TAIM e.V. (Association of Industrial Metal Ceiling Manufacturers).



## Surfaces

Powder coatings	<u>COLOURline - Powder coating</u>
Perforations	<u>REGULARline - Further perforations</u>

## Additional equipment

Acoustic inlays	<u>Acustica - Acoustic fabric inlay</u>
Luminaires	<u>LShine - Baffle luminaire</u>

## Application examples



© Stefan Schilling



© Ales Photography



© Stefan Schilling



© Ales Photography

## Project solutions

This product data sheet refers to the standard version of the product mentioned above. We would be happy to work with you to find the right solution for your project. Adapted to your building project, you will receive a perfectly matched system. Project-specific constructions and adaptations can be found in the offer documents.