

Square wall or ceiling luminaire for surface mounting, equipped with LED technology.

Housing is made of sheet steel, colour acc. to RAL 9016.

Soft ceiling illumination is made by a circumferential indirect light.

Light is distributed via a frameless opal acrylic cover.

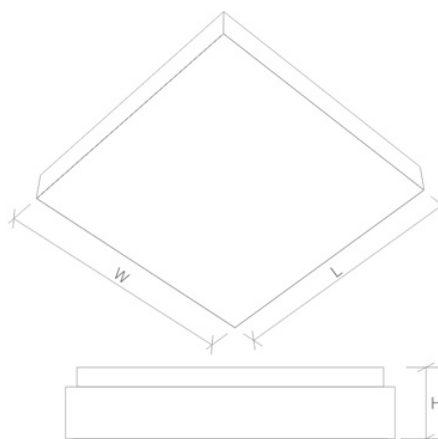
Electrical connection area on back side is slightly stepped (height: 22 mm)

Type	Lumen Output	System Power	Dimension (l x w x h)
FLAT Q RL 300 2.0 OS	2.100 Lumen	17 Watt	300 x 300 x 75 (53+22) mm
FLAT Q RL 430 4.0 OS	4.230 Lumen	38 Watt	430 x 430 x 75 (53+22) mm
FLAT Q RL 600 7.5 OS	7.620 Lumen	62 Watt	600 x 600 x 75 (53+22) mm

Technical Data:

Voltage:	220-240 V / 50-60 Hz
Protection class:	1
Protection type:	IP20
Ballast:	switchable
Cover:	opal
Colour:	RAL 9016
Light colour:	4.000K
Colour Rendering:	RA>80

Dimension Drawing:



Options:

- Ballast DALI dimmable
- Light colour 3.000K
- Housing acc. to RAL card