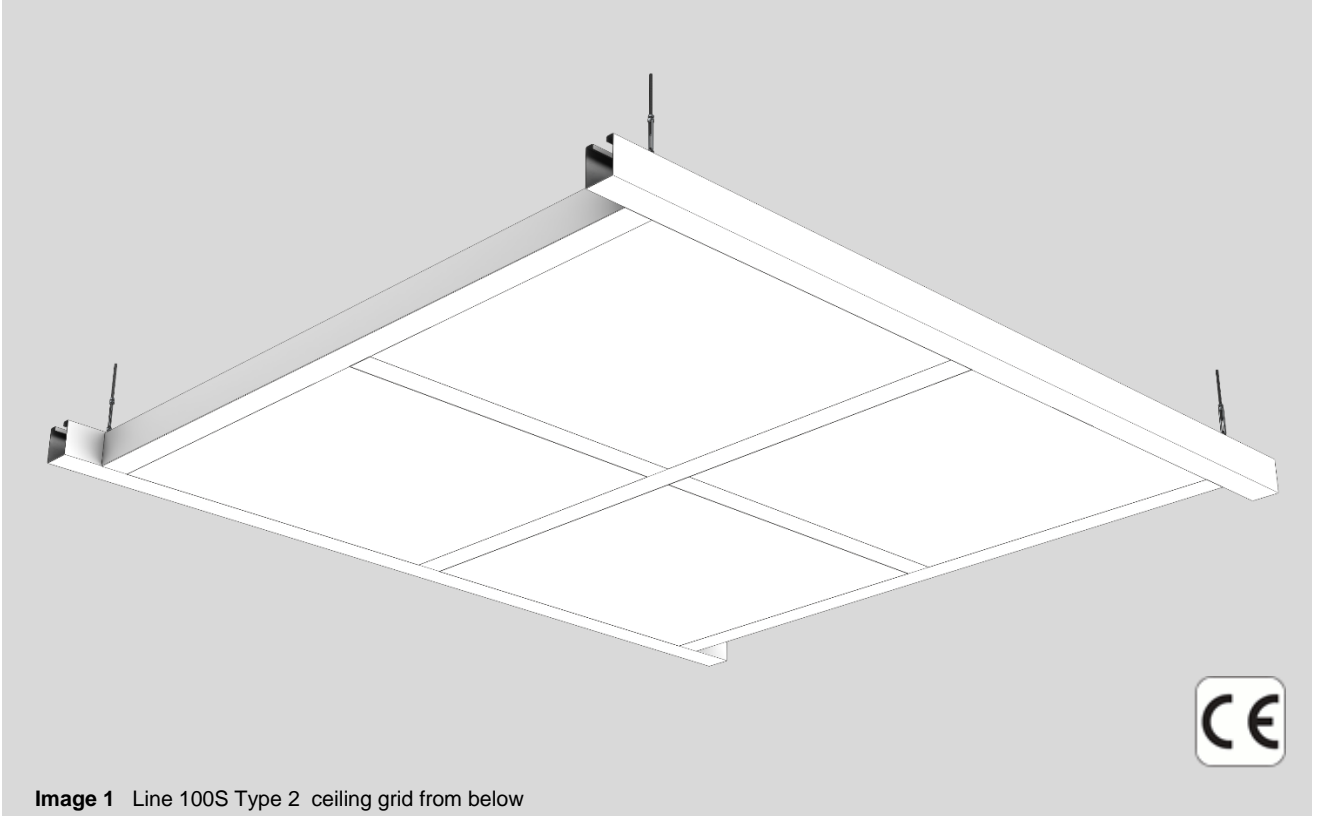


**Product image****Load case overarching****Fields of application**

- Pharmaceutical production, medical engineering
- Microelectronics and semiconductor industries
- Microsystems technologies, precision engineering
- Surface treatment technologies



- Easy to clean
- Good resistance against numerous detergents and disinfectants from the VAH-List (Verbund für Angewandte Hygiene)



Walkable ceiling



GMP suitability

**Certification/Standards**

Ceiling system according to EN 13964 and EN 1090 part 2.

Quality standard according to the technical standards of TAIM  
(Verband Industrieller Metalldeckenhersteller TAIM e.V.).

**Technical data**

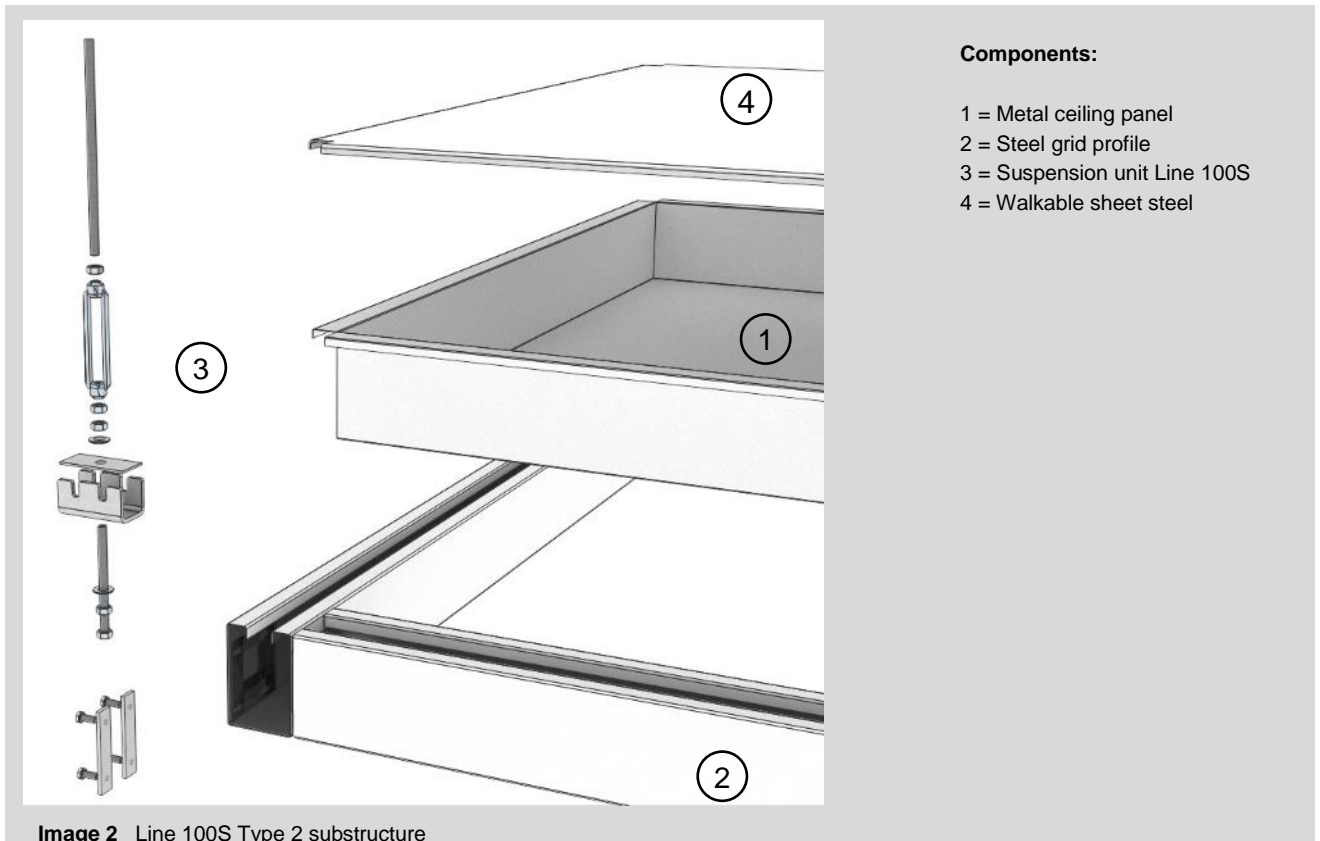
|  | <b>walkable</b>   |
|--|---|
| <b>Standard grid <sup>1)</sup></b>   | 1200 x 1200 mm  |
| <b>Maximum suspension distance <sup>2)</sup></b><br>(Suspended field dimensions) | 2400 x 2400 mm  |
| <b>Maximum suspension height</b>   | from 290 mm   |
| <b>System weight <sup>3)</sup></b>   | up to 50 kg/m <sup>2</sup>  |
| <b>System height</b>   | 120 mm  |
| <b>Visible width of grid profiles</b>  | 100 mm  |
| <b>Maximum loads <sup>4)</sup>:</b><br>Load case overarching                     | project specific, up to 150 kg/m <sup>2</sup> OR<br>4x 150kg (330 lbs.) per suspended field |
| <b>Fire protection classification</b>  | F0  |
| <b>Width of joints</b>   | ca. 3 mm<br>(Joints are optionally sealed with clean room suitable sealant)                 |
| <b>Serviceability</b>  | from top  |

<sup>1)</sup> Customised grid dimensions on request

<sup>2)</sup> Depending on dead load and additional loads

<sup>3)</sup> Depending on system requirements, weight without additional installations

<sup>4)</sup> Depending on technical requirements

**Substructure**

**Components:**

- 1 = Metal ceiling panel
- 2 = Steel grid profile
- 3 = Suspension unit Line 100S
- 4 = Walkable sheet steel

**Image 2** Line 100S Type 2 substructure

## General description

Metal ceiling panels with coated surface, resting on a suspended steel grid, produced in accordance with European Norms and TAIM-standard. The ceiling system Line 100S Type 2 excels in high air tightness and is easy to clean and disinfect. GMP- and DIN EN ISO 14644 suitable design. The surface is even, flush, suitable for flush installation and does not contain any outgassing or particle emitting materials. The ceiling joints are optionally sealed with a clean room suitable sealant.

Statements of Qualification and Validation of Air Permeability on request.

### Metal ceiling panel ①

#### Size and material

Lindner ceiling panel, dimensions according to grid, made of galvanised sheet steel. Optionally made of stainless steel.

#### Edging of ceiling panel

All-sided hang-in function (flush)

#### Surface

- Powder coated according to RAL or NCS
- Polished and brushed stainless steel (*Duplex-Grind*)
- Brushed stainless steel K240

#### Gloss level

appr. 20 E (RAL 9010)

#### Serviceability

Ceiling panels are removable.

### Substructure

Lindner Line 100S Type 2 substructure made of galvanized steel. Optionally made of stainless steel.

### Steel grid profile ②

Grid with matching colour to the ceiling panels. Serves as basis for the suspension and support of the ceiling plate. Variable axis grids possible. Height 120 mm, width 100 mm. Cable and media supply as well as the installation of sprinklers or smoke detectors possible in the grid profiles. Factory-pre-fabricated 30 x 35 mm recesses allow cable routing within the ceiling system.

### Suspension unit Line 100S ③

#### Consisting of:

|  |   |
|--|---|
|  | Suspension bolt made of galvanised steel.   |
|  | Suspension piece made of galvanised steel.  |
|  | Locking plate made of galvanised steel.   |
|  | Turnbuckle L/R forged from galvanised steel according to DIN 14100 – for continuous height adjustment of the overall system.              |
|  | Threaded rod made of galvanised steel for suspension from a concrete ceiling or a steel framework. Length according to suspension height. |

**Walkable sheet steel ④**

To create a walkable ceiling void. Dimensions according to grid, thickness depending on load requirements.

**Grid cover (optional, no image)**

Plastic grid cover to close the upper channel and to create an invisible media supply and a homogeneous walkable surface.

**Wall connection options (no image)**

Wall angle to connect the ceiling system to partitions, concrete walls, etc. Different designs available. Made of galvanised steel, optionally made of Aluminium or stainless steel.

**Additional equipment / installations****Light fixtures**

Installation of recessed lights and luminaires from Lindner or from other manufacturers<sup>1)</sup> is possible.

**Air conditioning components**

The ceiling system is compatible with Filter Fan Units / air supply exhausts / air grilles and other air conditioning components.

**Other**

Sprinklers, smoke detectors or media ducts can be set through the grid profiles or the ceiling panels.

<sup>1)</sup> Situation-related clarification necessary

Installation components, such as, luminaires or air outlets can be integrated flush with the system depending on the project situation.

**Manufacturing tolerances**

Lindner metal ceilings are produced in accordance with the requirements of EN 13964 as well as the TAIM technical regulations (Verband Industrieller Metalldeckenhersteller TAIM e.V. - [www.taim.info](http://www.taim.info)).

This data sheet refers to the standard version of the above-mentioned ceiling system. Project-specific remarks and adaptations can be found in addition to the tender documents.

**Installation and use**

The assembly and use shall be in accordance with the manufacturer's guidelines and the technical regulations of the TAIM.