

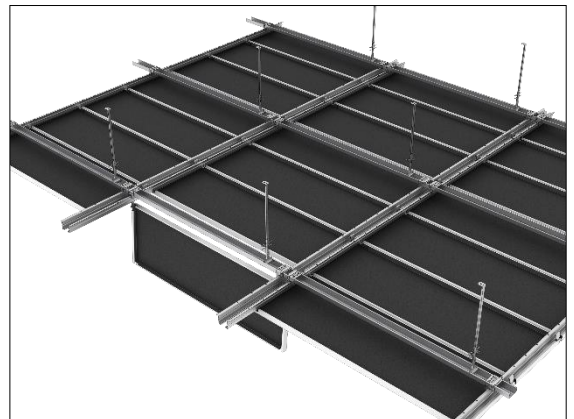
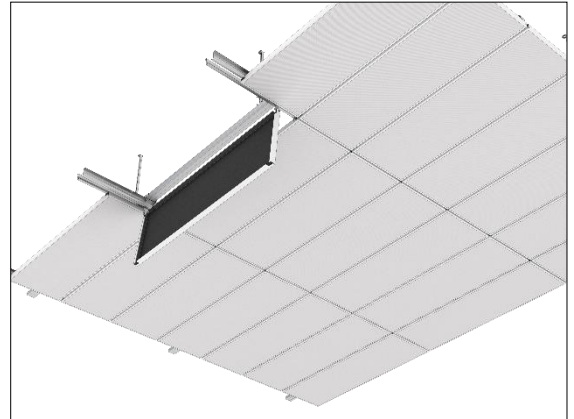


## LMD-E 214

### Hook-On ceiling with open joints

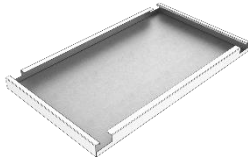
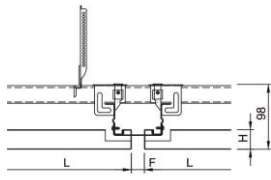
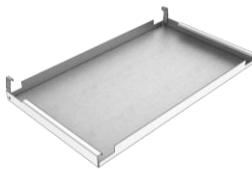
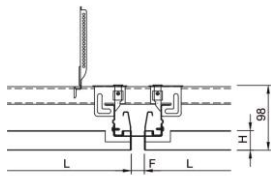

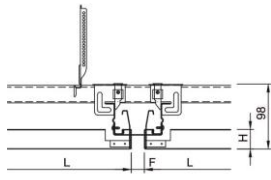
A concealed substructure and open joints exceeding 10 mm characterise this Hook-On ceiling. The open joints can also be used for independent installation of luminaires or fixtures. Variable joint distances and flexible panel shapes and sizes ensure individual design options. The Hook-On ceiling panels are very maintenance-friendly: they can be removed or swung down without the need for any tools.

- homogeneous ceiling surface due to concealed substructure
- individual design thanks to flexible panel shapes and sizes
- ceiling layout with open joints
- independent installation of luminaires and fixtures possible
- easy maintenance option due to ceiling panels that can be individually operated, swung down and slid without tools
- hygienic and easy to clean





## Ceiling elements

<b>LMD-E 214 Type 1</b>		 
<b>Hook-On</b>		
Length (L)	250 - 3,000 mm	
Width (B)	200 - 1,250 mm	
Height (H)	30, 40, 50 mm	
Joint width (F)	10 - 100 mm	
<b>LMD-E 214 Type 2</b>		 
<b>Hook-On, Swing-Down option &lt;1.2 m²</b>		
Length (L)	250 - 3,000 mm	
Width (B)	200 - 1,250 mm	
Height (H)	30, 40, 50 mm	
Joint width (F)	10 - 100 mm	
<b>LMD-E 214 Type 3</b>		 
<b>Hook-On, Swing-Down option</b>		
Length (L)	250 - 3,000 mm	
Width (B)	200 - 1,250 mm	
Height (H)	30, 40, 50 mm	
Joint width (F)	10 - 100 mm	

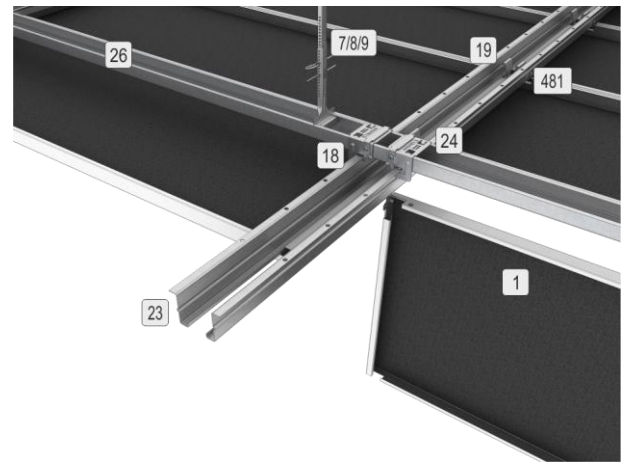
## Technical data

Material	galvanised sheet steel
Weight	approx. 8 - 10 kg/m <sup>2</sup> (without fixtures/installations)
Serviceability	swing-down and slide option without tools or removable
Wall connection options	L-angle, shadow gap trim, open wall connection



## Component list

1	ceiling panel
7/8/9	vernier suspension
18	self-tapping screw trapezoidal head
19	self-drilling screw fillister head
23	Z-hook-on profile 48
24	cross connector for suspension channel 60 to Z-hook-on profile 48
26	suspension channel 60
481	spacer for Z-hook-on profile 48



## Acoustics

### Room acoustics

Rated sound absorption coefficient	DIN EN ISO 11654	$\alpha_w$	0.15 - 1.00
Sound absorber class	DIN EN ISO 11654		E - A
Noise Reduction Coefficient	ASTM C 423	NRC	0.15 - 0.95

## Fire protection

### Building material class

Building material class	DIN EN 13501-1	A2 - s1, d0
Building material class	ASTM E 84	Class A

## Durability

Exposure class	DIN EN 13964	A
----------------	--------------	---

## Sustainability

Product self-declaration	Self-declaration according to ISO 14021
Environmental product declaration	EPD according to EN 15804 / ISO 14025
Circular Economy	Cradle to Cradle Certified® Gold
French VOC Regulation	Emission class A+



## Certification

CE marking	The ceiling system is a harmonised construction product acc. to regulation (EU) No. 305/2011 (Construction Products Regulation) and EN 13964: Suspended ceilings - Requirements and test methods.
TAIM e.V.	The ceiling system fulfils the requirements of the "Technical Manual Metal Ceilings" (TMMC) of TAIM e.V. (Association of Industrial Metal Ceiling Manufacturers).

## Surfaces

Powder coatings	<u>COLOURline - Powder coating</u> <u>MOODline - Powder coating, deep matt</u> <u>ARTline - Decorative powder coating</u> <u>GRAPHICline - Digital print</u>
Perforation	<u>BASICline - Standard perforations</u> <u>REGULARline - Further perforations</u> <u>SPREADline - Scattered perforations</u>
Design surfaces	<u>TOUCHdesign Lunar - 3D hammered</u>
Functional coatings	<u>Meteo - Corrosion protection coating</u> <u>Mutex - Acoustic coating</u>

## Additional equipment

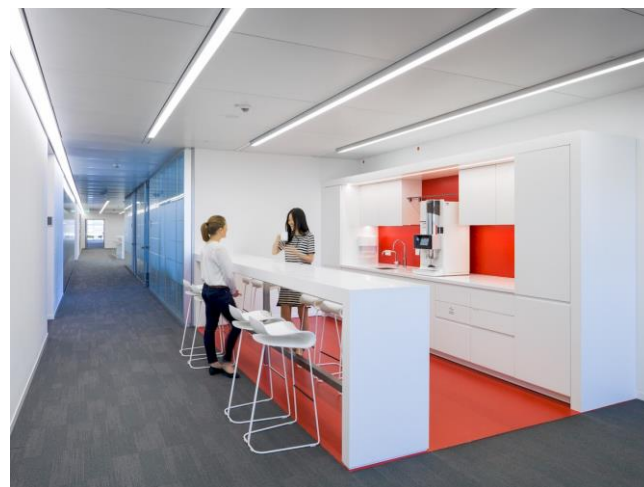
Acoustic inlays	<u>Acustica - Acoustic fabric inlay</u> <u>Insula - Mineral wool inlay in acoustic foil</u> <u>Calma - Glass yarn inlay in textile cover</u>
Ventilation components	<u>AirBox S - Supply air elements</u> <u>AirBox E - Exhaust air elements</u> <u>AirBeam Basic - Standard Heated/Chilled beam</u> <u>AirBeam Discreet - Discreet Heated/Chilled beam</u>
Luminaires	<u>IS 17 - Integrated luminaire for general areas</u> <u>IS 22 - Integrated luminaire for monitor work stations</u> <u>IS 450 - Integrated luminaire for office and general areas</u> <u>LK 73 - Light channel</u> <u>QZI - Integrated luminaire with cell louvres</u> <u>DPL - Integrated luminaire for post cap ceilings</u>
Heating and cooling function	System with integrated heating and cooling technology is available: <u>Plafotherm® E 214</u>



## Application examples



© Grant Pitcher



© Stefan Schilling

## Project solutions

This product data sheet refers to the standard version of the product mentioned above. We would be happy to work with you to find the right solution for your project. Adapted to your building project, you will receive a perfectly matched system. Project-specific constructions and adaptations can be found in the offer documents.