

This high-grade baffle ceiling is especially suitable for areas with increased maintenance demands. Due to movable one-piece baffles, you can comfortably reach the ceiling void. The linear baffles can quickly and easily be installed in different sizes and centre distances. Free spaces between the baffles can be used for different installations such as luminaires, sprinklers or for the suspension of signs.

- + freely selectable centre distances and baffle dimensions
- + independent installation of luminaires and fixtures possible between baffles
- + visible ceiling void
- + easy and quick installation
- + easy maintenance option due to baffles that can be individually slid without tools

### APPLICATIONS

**Recreation and Culture:** Museums, Places of Assembly, Sales Areas, Shopping Centres, Stadiums, Banks, Cinemas and Theatres, Public Swimming Pools, Concert Halls

**Workplace:** Assembly Rooms, Broadcasting Rooms, Television Studios, Facilities for Meetings, Conventions and Conferences, Stage and Studio Rooms, Common Rooms, Offices

**Transport:** Airports, Train Stations

**Education:** Library Rooms, Research Rooms

**Public Institutions:** Court Houses, Government Buildings

**Hotels and Gastronomy:** Hotels and Resorts, Restaurants and Canteens

**Public Areas:** Entrance Areas

### REQUIREMENTS

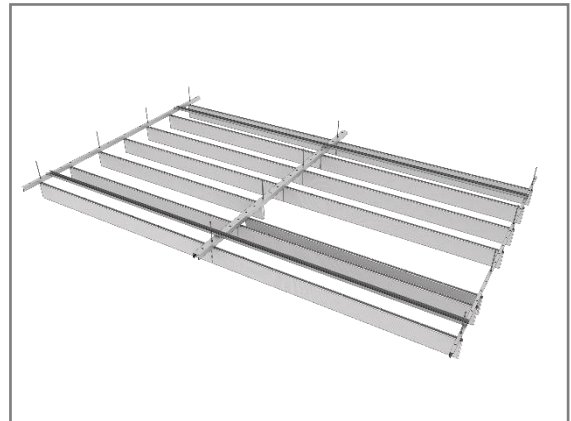
**Design:** Digital Print, Perforation, Powder Coating, Steel

**Sustainability:** Cradle to Cradle®, Environmental Product Declaration

**Corrosion Protection:** Interiors

**Fire Protection:** Fire Behaviour / Building Material Class

**Acoustics:** Room Acoustics





### TABLE OF TYPES

<b>LMD-L 609 Type 1</b>			
<b>one-piece</b>			
Length (L)	300 - 3,000 mm		
Width (B)	30, 35, 40, 45, 50, 55 mm		
Height (H)	80 - 325 mm		
<b>LMD-L 609 Type 3 Shine</b>			
<b>one-piece, with luminaire LShine</b>			
Length (L)	500 - 3,000 mm		
Width (B)	50 mm		
Height (H)	100 - 325 mm		

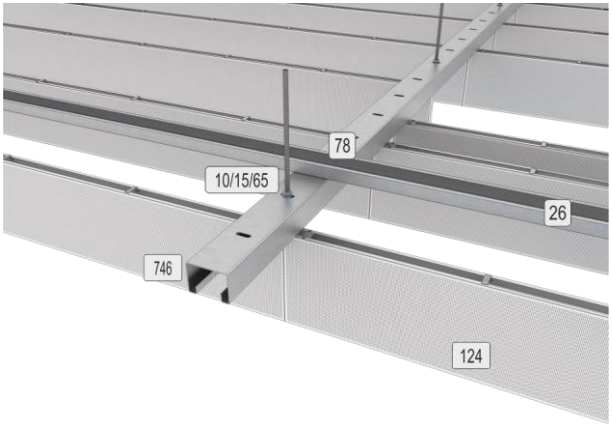


### TECHNICAL DATA

Material	galvanised sheet steel
Weight	approx. 3 - 7 kg/m (without fixtures/installations)
Serviceability	slide option or removable without tools



### COMPONENT LIST

10/15/65	threaded rod suspension	
26	suspension channel 60	
78	self-drilling screw hexagon head	
124	metal baffle	
746	double hook-on profile 54/L	

 **ACOUSTICS**

<b>Room acoustics</b>			
Rated sound absorption coefficient	DIN EN ISO 354	$\alpha_w$	0.15 – 0.70
Sound absorber class	DIN EN ISO 11654		E - C
Noise Reduction Coefficient	ASTM C 423	NRC	0.15 – 0.70

 **FIRE PROTECTION**

<b>Building material class</b>		
Building material class	DIN EN 13501-1	A2 – s1,d0
Building material class	ASTM E 84	Class A

 **DURABILITY**

Exposure class	DIN EN 13964	A
----------------	--------------	---

 **SUSTAINABILITY**

Product self-declaration	A self-declaration according to ISO 14021 is available. The self-declaration provides extensive information about all environmental effects of the product. It can be used in the planning or tender phase to assess all sustainability-relevant aspects. It serves as a data basis for building certification systems such as LEED, DGNB and BREEAM.
Environmental product declaration	The product has a specific EPD according to the valid standards. (EN 15804/ ISO 14025)
Circular Economy	The product is Cradle to Cradle Certified® Gold. By implementing the Circular Economy ideology we avoid waste, toxic substances and environmental pollution. The aim is to achieve a technical cycle, which ensures the separation and the complete re-use of all materials.

 **SURFACES**

Powder coatings	COLOURline, ARTline
Perforations	BASICline, REGULARline, SPREADline



## CERTIFICATION

CE marking	The ceiling system is a harmonised construction product acc. to regulation (EU) No. 305/2011 (Construction Products Regulation) and EN 13964: Suspended ceilings - Requirements and test methods.
TAIM e.V.	The ceiling system fulfils the requirements of the "Technical Manual Metal Ceilings" (TMMC) of TAIM e.V. (Association of Industrial Metal Ceiling Manufacturers).



## ADDITIONAL EQUIPMENT

Acoustic inlays	Acustica – Acoustic fabric inlay Insula – Mineral wool inlay in acoustic foil
Luminaires	LShine – Baffle luminaire
Heating and cooling function	System with integrated heating and cooling technology is available: Plafotherm® L 609



## PROJECT SOLUTIONS

This product data sheet refers to the standard version of the product mentioned above. We would be happy to work with you to find the right solution for your project. Adapted to your building project, you will receive a perfectly matched system. Project-specific constructions and adaptations can be found in the offer documents.