

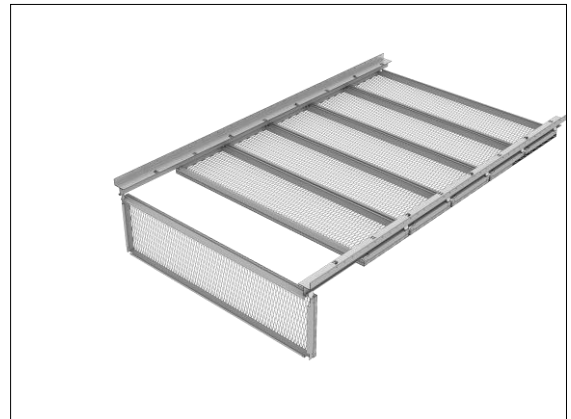
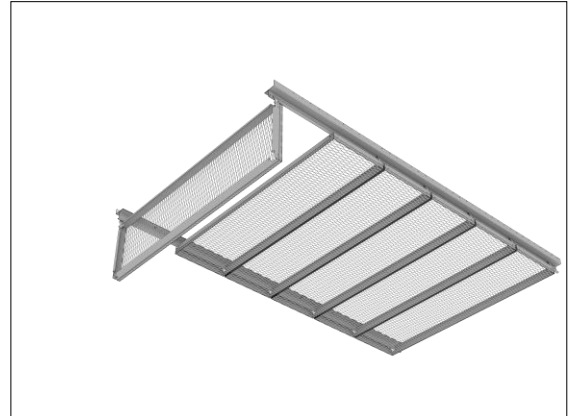


LMD-St 312

Hook-On expanded metal ceiling, free spanning

LMD-St 312 is a corridor ceiling with concealed shadow gap and maintenance-friendly ceiling panels. The freely spanned construction enables a good compensation of tolerances on the wall. It can also be combined with plasterboard friezes to incorporate niches and non-parallel corridor walls. Various mesh shapes and sizes offer versatile design options. Depending on the mesh, the ceiling void is more or less visible and can be used for installations in case of a high open area.

- homogeneous ceiling surface due to concealed substructure
- many design possibilities thanks to different mesh types, shapes and sizes
- the possibility to see – to a greater or lesser extent – into the ceiling void depends on the mesh or the requirement
- installation of illumination or further fixtures in the ceiling void is possible in case of a high open area
- freely spanned construction without additional centre suspension
- compensation of tolerances on the wall is possible due to an adjustable wall connection
- can be combined with plasterboard friezes to incorporate niches and non-parallel corridor walls
- easy maintenance option due to ceiling panels that can be individually operated, swung down and slid without tools





Ceiling elements

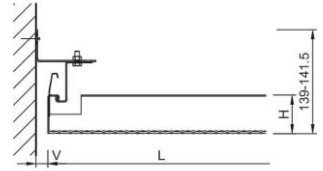
LMD-St 312 Type 3			
Hook-On, expanded metal turned up			
Length (L)	250 - 3,000 mm		
Width (B)	200 - 1,250 mm		
Height (H)	63.5 - 66 mm		
Adjustment range (V)	10 - 20 mm		
LMD-St 312 Type 4			
Hook-On, expanded metal bordered			
Length (L)	250 - 3,000 mm		
Width (B)	200 - 1,250 mm		
Height (H)	55.5 - 58 mm		
Adjustment range (V)	10 - 25 mm		
LMD-St 312 Type 5			
Hook-On/Swing-Down, expanded metal bordered			
Length (L)	250 - 3,000 mm		
Width (B)	200 - 1,250 mm		
Height (H)	55.5 - 58 mm		
Adjustment range (V)	10 - 25 mm		
LMD-St 312 Type 6			
Hook-On/Swing-Down, expanded metal turned up			
Length (L)	250 - 3,000 mm		
Width (B)	200 - 1,250 mm		
Height (H)	63.5 - 66 mm		
Adjustment range (V)	10 - 30 mm		
LMD-St 312 Type 8			
Hook-On, expanded metal placed on frame			
Length (L)	250 - 2,000 mm		
Width (B)	200 - 625 mm		
Height (H)	33.5 - 36 mm		
Adjustment range (V)	10 - 25 mm		



LMD-St 312 Type 9

Hook-On/Swing-Down, expanded metal placed on frame

Length (L)	250 - 2,000 mm
Width (B)	200 - 625 mm
Height (H)	51.5 - 54 mm
Adjustment range (V)	10 - 25 mm

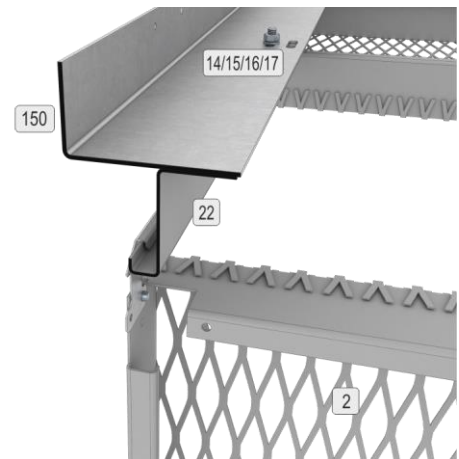


Technical data

Material	galvanised sheet steel
Weight	approx. 14 - 16 kg/m ² (without fixtures/installations)
Serviceability	swing-down and slide option without tools or removable
Wall connection options	L-angle/hook-on profile

Component list

2	expanded metal ceiling panel
14/15/16/17	screwing
22	Z-hook-on profile 54
150	L-wall profile 43x65



Acoustics

Room acoustics

Rated sound absorption coefficient	DIN EN ISO 11654	α_w	0.15 - 1.00
Sound absorber class	DIN EN ISO 11654		E - A
Noise Reduction Coefficient	ASTM C 423	NRC	0.15 - 0.90

Fire protection

Building material class

Building material class	DIN EN 13501-1	A2 - s1,d0
Building material class	ASTM E 84	Class A



Durability

Exposure class	DIN EN 13964	A
----------------	--------------	---

Sustainability

Product self-declaration	Self-declaration according to ISO 14021
Environmental product declaration	EPD according to EN 15804 / ISO 14025
Circular Economy	Cradle to Cradle Certified® Gold
French VOC Regulation	Emission class A+

Statics

Seismic Safety	qualification according to AC 156/Eurocode/SIA 261
----------------	--

Certification

CE marking	The ceiling system is a harmonised construction product acc. to regulation (EU) No. 305/2011 (Construction Products Regulation) and EN 13964: Suspended ceilings - Requirements and test methods.
TAIM e.V.	The ceiling system fulfils the requirements of the "Technical Manual Metal Ceilings" (TMMC) of TAIM e.V. (Association of Industrial Metal Ceiling Manufacturers).

Surfaces

Powder coatings	<u>COLOURline - Powder coating</u> <u>MOODline - Powder coating deep matt</u>
Expanded metal	<u>MESHdesign - Standard expanded metal</u> <u>MESHdesign Viva - 3D expanded metal</u>
Functional coatings	<u>Meteo - Corrosion protection coating</u>

Additional equipment

Acoustic inlays	<u>Acustica - Acoustic fabric inlay</u> <u>Calma - Glass yarn inlay in textile cover</u>
Luminaires	<u>LK 73 - Light channel</u>
Inspection hatches	<u>LMD-RK 20 - Inspection hatch expanded metal</u>



Application examples



© David Franck Photographie

Project solutions

This product data sheet refers to the standard version of the product mentioned above. We would be happy to work with you to find the right solution for your project. Adapted to your building project, you will receive a perfectly matched system. Project-specific constructions and adaptations can be found in the offer documents.