



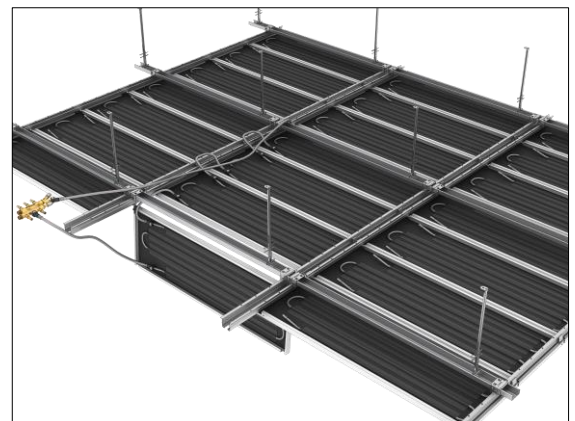
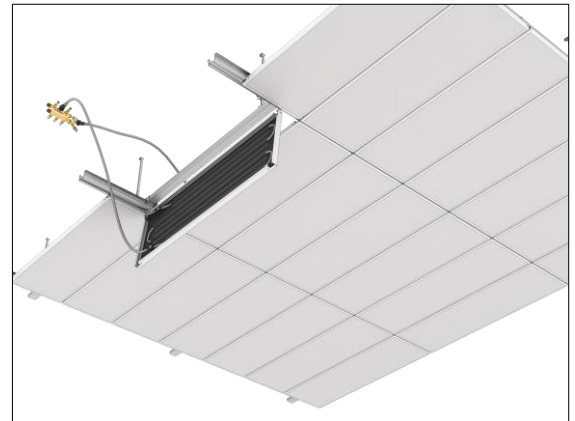
Plafotherm® E 214

Heated and Chilled Hook-On Ceiling with open joint

Product description

This Hook-On ceiling with concealed substructure and open joints creates a pleasant and comfortable temperature in your rooms. The open joint between the ceiling panels can also be used for airflow or the independent installation of luminaires or other fixtures. The shape and size of the ceiling panels can individually be designed and operated without tools. On demand, thermally active and passive areas can be combined.

- heating/cooling by means of radiation creates a pleasant room climate
- flexibility thanks to the combination of thermally active and passive areas
- homogeneous ceiling surface due to concealed substructure
- individual design thanks to flexible panel shapes and sizes
- ceiling layout with open joints
- open joint can be used for airflow
- independent installation of luminaires and fixtures possible
- easy maintenance option due to ceiling panels that can be individually operated, swung down and slid without tools
- hygienic and easy to clean



Project solutions

This product data sheet refers to the standard version of the product mentioned above.

We would be happy to work with you to find the right solution for your project. Adapted to your building project, you will receive a perfectly matched system. Project-specific constructions and adaptations can be found in the offer documents.



Table of types

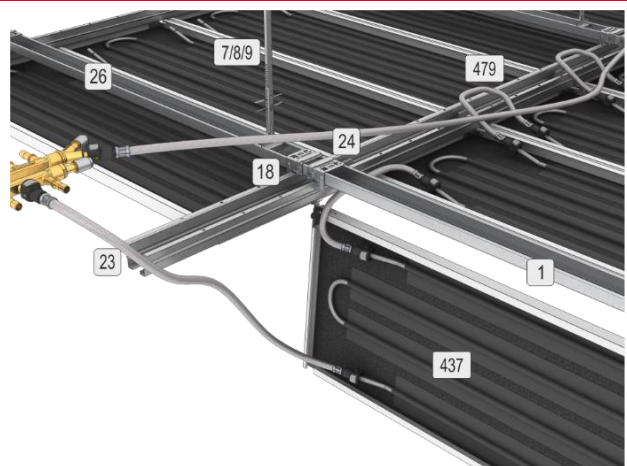
Plafotherm® E 214 type 1		 
Hook-On		
Length (L)	500 - 3,000 mm	
Width (B)	200 - 1,250 mm	
Height (H)	30, 50 mm	
Joint width (F)	10 - 100 mm	
Plafotherm® E 214 type 3		 
Hook-On, Swing-Down		
Length (L)	500 - 3,000 mm	
Width (B)	200 - 1,250 mm	
Height (H)	30, 50 mm	
Joint width (F)	10 - 100 mm	

Technical properties

Material ceiling panel	galvanised sheet steel
System weight	approx. 14 - 16 kg/m ² (without fixtures/installations)
Serviceability	swing-down, removable without tools
Wall connection options	L-angle, shadow gap trim, open wall connection

Component list

1	metal ceiling panel
7/8/9	vernier suspension
18	self-tapping screw trapezoidal head
23	Z-hook-on profile 48
24	cross connector for suspension channel 60 to Z-hook-on profile 48
26	suspension channel 60
437	heating and cooling coil
479	PlafaTube® connecting/connection hose





Acoustics

Room acoustics

Rated sound absorption coefficient	DIN EN ISO 354	α_w	up to 0.80
Sound absorption class	DIN EN ISO 11654		up to B
Noise Reduction Coefficient	ASTM C 423	NRC	up to 0.80

Fire protection

Building material class

Building material class	DIN EN 13501-1	A2 - s2, d0
Building material class	ASTM E 84	Class A

Durability

Exposure class	DIN EN 13964	A
----------------	--------------	---

HVAC

Heating and cooling

Heating and cooling technology	Plafotherm® V2A	Plafotherm® Cu	Plafotherm® Cu Acoustic	Plafotherm® Activation Board
Nominal cooling capacity (10 K) according to EN 14240 in relation to the active area	109 W/m ²	112 W/m ²	99.4 W/m ²	120 W/m ²
Nominal heating capacity (15 K) according to EN 14037:2003 in relation to the active area	123 W/m ²	126 W/m ²	115 W/m ²	133 W/m ²

Sustainability

Product self-declaration	A self-declaration according to ISO 14021 is available. The self-declaration provides extensive information about all environmental effects of the product. It can be used in the planning or tender phase to assess all sustainability-relevant aspects. It serves as a data basis for building certification systems such as LEED, DGNB and BREEAM
EPD (environmental product declaration)	The product has a specific EPD according to the valid standards. (EN 15804/ ISO 14025)
Circular Economy	The product is Cradle to Cradle Certified® Silver. By implementing the Circular Economy ideology we avoid waste, toxic substances and environmental pollution. The aim is to achieve a technical cycle, which ensures the separation and the complete re-use of all materials.



Surfaces

Powder coatings	<u>COLOURline – Powder coating</u> <u>MOODline – Powder coating, deep matt</u> <u>ARTline – Decorative powder coating</u> <u>GRAPHICline – Digital print</u>
Perforations	<u>BASICline – Standard perforations</u> <u>REGULARline – Further perforations</u> <u>SPREADline – Customised perforations</u>

Certification

CE marking	The ceiling system is a harmonised construction product acc. to regulation (EU) No. 305/2011 (Construction Products Regulation) and EN 13964: Suspended ceilings – Requirements and test methods.
TAIM e. V.	The ceiling system fulfils the requirements of the "Technical Manual Metal Ceilings" (TMMC) of TAIM e. V. (Association of Industrial Metal Ceiling Manufacturers).

Additional equipment

Acoustic inlays	<u>Acustica – Acoustic fabric inlay</u> <u>Insula – Mineral wool inlay in acoustic foil</u>
Ventilation components	<u>AirBox S – Supply air elements</u> <u>AirBox E – Exhaust air elements</u> <u>AirBeam – Heated/Chilled beams</u>
Hydraulic components	<u>PlafaTube® MQC – Connecting/Connection hose with MultiQuickConnect</u> <u>Fittings – Distribution system</u>
Luminaires	Lindner luminaires and luminaires from other manufacturers possible <u>IS 17 – Integrated Luminaire for general areas</u> <u>IS 22 – Integrated Luminaire for monitor work stations</u> <u>IS 450 – Integrated Luminaire for Office and General areas</u> <u>LK 73 – Light channel</u> <u>QZI – Integrated luminaire with cell louvres</u> <u>DPL – Integrated luminaire for post cap ceilings</u>

Applications



© Stefan Schilling

