

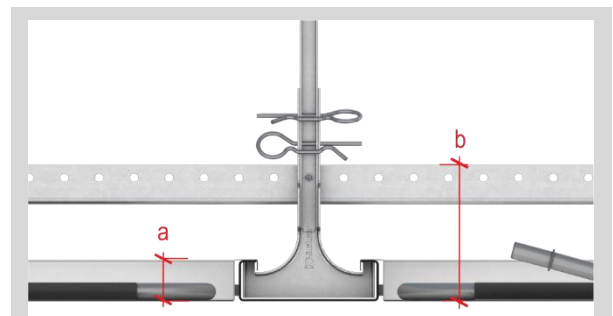
Subject to change without notice. This document is intellectual property of us. It may neither be duplicated, exploited for profit, distributed for business purposes nor shown to any third parties without our approval.

Component List






A	Plafotherm® V2A
B	Plafotherm® Cu / Plafotherm® Cu Acoustic
C	Plafotherm® Activation Board
1	Ceiling panel
6	L-angle
8/9/55	Vernier suspension
54	Post cap profile
78	Drilling screw
479	Stainless steel hose netting with system connector with MQC
505	Fit-up aid
a	Constructional height ceiling panel
b	System height



Detail



Section

Material	Galvanised sheet steel													
Panel length	250 – 3000 mm (depending on the ceiling panel type)													
Panel width	200 – 1250 mm (depending on the ceiling panel type)													
Joint width	0, 1, 3 or 5 mm													
Serviceability	Swing-Down option or removable without tools													
Characteristic	Installation of partition walls is possible													
Additional components	Hydraulic components, integrated lighting solutions, longitudinal sound reduction													
Post cap width	100 mm, further widths possible													
Max. post cap distance	3056 mm													
Constructional height ceiling panel a	30 – 50 mm													
System height b	approx. 95 mm													
Weight	approx. 14 – 16 kg/m ² (without fixtures/installations)													
Wall connection options	L-angle, shadow gap trim, open wall connection													
Surface	Powder coating													
Colour	RAL 9010, many RAL, NCS and DB colours optionally available													
Perforation	Perforations according to perforation brochure available													
	Heating/Cooling technology													
	Heat conducting technology	Aluminium profile or graphite inlay												
	Pipe fret	Cu-pipe 12x0.5 mm, V2A-pipe 12x0.5 mm												
	Heating/Cooling capacity	<table border="0"> <tr> <td>Nominal cooling capacity (10K)</td> <td>Nominal heating capacity (15K)</td> </tr> <tr> <td>tested to EN 14240</td> <td>tested to EN 14037:2003</td> </tr> <tr> <td>Plafotherm® V2A</td> <td>109 W/m²</td> </tr> <tr> <td>Plafotherm® Cu (optional)</td> <td>112 W/m²</td> </tr> <tr> <td>Plafotherm® Cu Acoustic (optional)</td> <td>99.4 W/m²</td> </tr> <tr> <td>Plafotherm® Activation Board (optional)</td> <td>120 W/m²</td> </tr> </table>	Nominal cooling capacity (10K)	Nominal heating capacity (15K)	tested to EN 14240	tested to EN 14037:2003	Plafotherm® V2A	109 W/m ²	Plafotherm® Cu (optional)	112 W/m ²	Plafotherm® Cu Acoustic (optional)	99.4 W/m ²	Plafotherm® Activation Board (optional)	120 W/m ²
Nominal cooling capacity (10K)	Nominal heating capacity (15K)													
tested to EN 14240	tested to EN 14037:2003													
Plafotherm® V2A	109 W/m ²													
Plafotherm® Cu (optional)	112 W/m ²													
Plafotherm® Cu Acoustic (optional)	99.4 W/m ²													
Plafotherm® Activation Board (optional)	120 W/m ²													
	Light reflectance													
	RAL 9016, unperforated													
	tested to DIN 5033	approx. 82 %												
	Sound absorption													
	Depending on perforation and acoustic inlays													
	tested to EN ISO 354	up to $\alpha_w = 0.80$, sound absorption class B												
	tested to ISO 354, rated to ASTM C 423	up to NRC = 0.80												
	Building material class													
	Metal ceiling element, powder coating, acoustic tissue and heat conducting profile													
	tested to EN 13501-1	A2-s2, d0												
	Durability													
	according to EN 13964, table 8 and 9	Exposure class A (interior)												
	Green Building													
	Environmental product declarations (EPD)													
	according to ISO 14025	Validated												
	according to ISO 14021	Self-declared												
	Certification/Regulations													
	Optional Cradle to Cradle Silver certification (No. 4475)													
	Metal ceiling element, heating/cooling technology, white powder coating, acoustic tissue and substructure													
	Execution of the system ceilings tested to EN 13964													
	Quality standard according to the technical regulations of TAIM (Association of Industrial Metal Ceiling Manufacturers TAIM e.V.)													

Subject to change without notice. This document is intellectual property of us. It may neither be duplicated, exploited for profit, distributed for business purposes nor shown to any third parties without our approval.

This product data sheet refers to the standard version of the ceiling system mentioned above. Project-specific constructions and adaptations have to be additionally gathered from the offer documents.