



Teardrop luminaire, equipped with LED technology.

Due to the opal cover in the shape of a teardrop, air turbulences can be avoided.

The two-sided coated diffusion layer enables the highest degree of efficiency.

The cover is mounted by stainless steel springs on the inside, without additional tools.

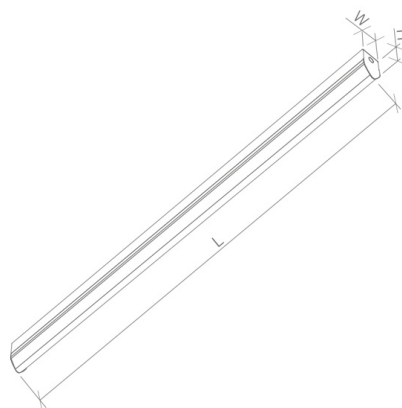
Delivery of single luminaires or delivery for formation of linear lighting strips are possible.

Type	Lumen Output	System Power	Dimension (l x w x h)
LF 600 1.5 OA	1.620 Lumen	12 Watt	600 x 50 x 90 mm
LF 900 2.0 OA	2.430 Lumen	17 Watt	900 x 50 x 90 mm
LF 1200 3.0 OA	3.240 Lumen	23 Watt	1.200 x 50 x 90 mm
LF 1500 4.0 OA	4.050 Lumen	28 Watt	1.500 x 50 x 90 mm

### Technical Information:

Voltage:	220-240 V / 50-60 Hz
Protection class:	1
Protection kind:	IP40
Ballast:	switchable
Cover:	opal diffusor
Colour:	RAL 9016
Light colour:	4.000K
Colour rendering:	RA>80

### Dimension Drawing:



### Options:

- Ballast DALI dimmable
- Elec. connection acc. to customer requirement
- Through-wiring
- Emergency lighting
- Protection kind IP54 (max. double length lighting strips)
- Housing acc. to RAL Card