



Linear and slim system luminaire, equipped with LED technology.

Housing is made of sheet steel, powder-coated according to RAL 9005.

Light is distributed via micro lenses and a black reflector, UGR < 19, suitable for offices.

The luminaire can be produced project-related with mounting system for perfect integration between the metal ceiling.

Lengths and light output can be adjusted to project requirements.

Further applications on page 2.

Type	Lumen	System Power	Dimensions (l x w x h)
QZM	approx. 4.000 lm / m	approx. 44 W / m	variable x 23 x 25 mm

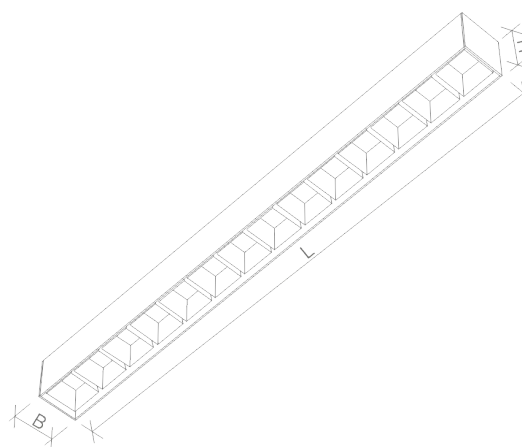
Technical data:

Voltage:	220-240 V / 50-60 Hz
Protection class:	2
Protection kind:	IP20
Ballast:	switchable
Cover:	black reflector unit
Colour:	RAL 9005
Light colour:	4.000K
Colour rendering:	RA>80

Options:

Light colour 3.000K
Ballast DALI dimmable

Dimension drawing:



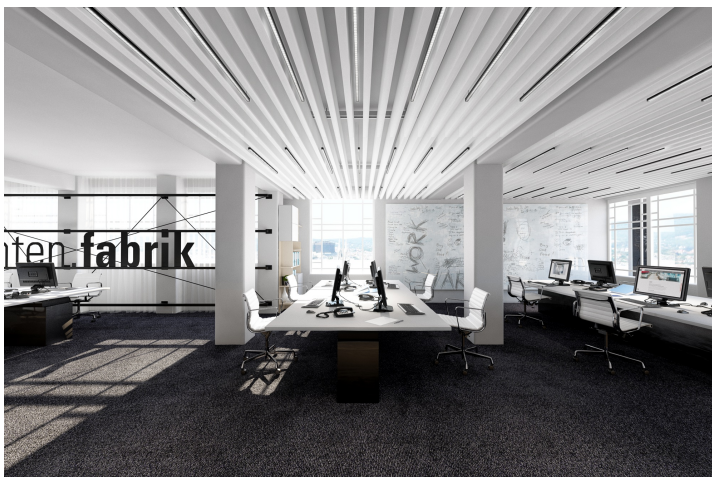
Line arrangement between hook-on metal ceiling



Single arrangement between hook-on metal ceiling



Suspended between baffle ceiling



Subject to change without notice. Unauthorized submit to third parties or changes without our permission are not allowed.