



Image 1 Control unit, door side



Image 2 Control unit, control side

Description

Door control systems are required when two or more doors are to be locked against each other. With this decentralized system, 16 doors can be interconnected as standard.

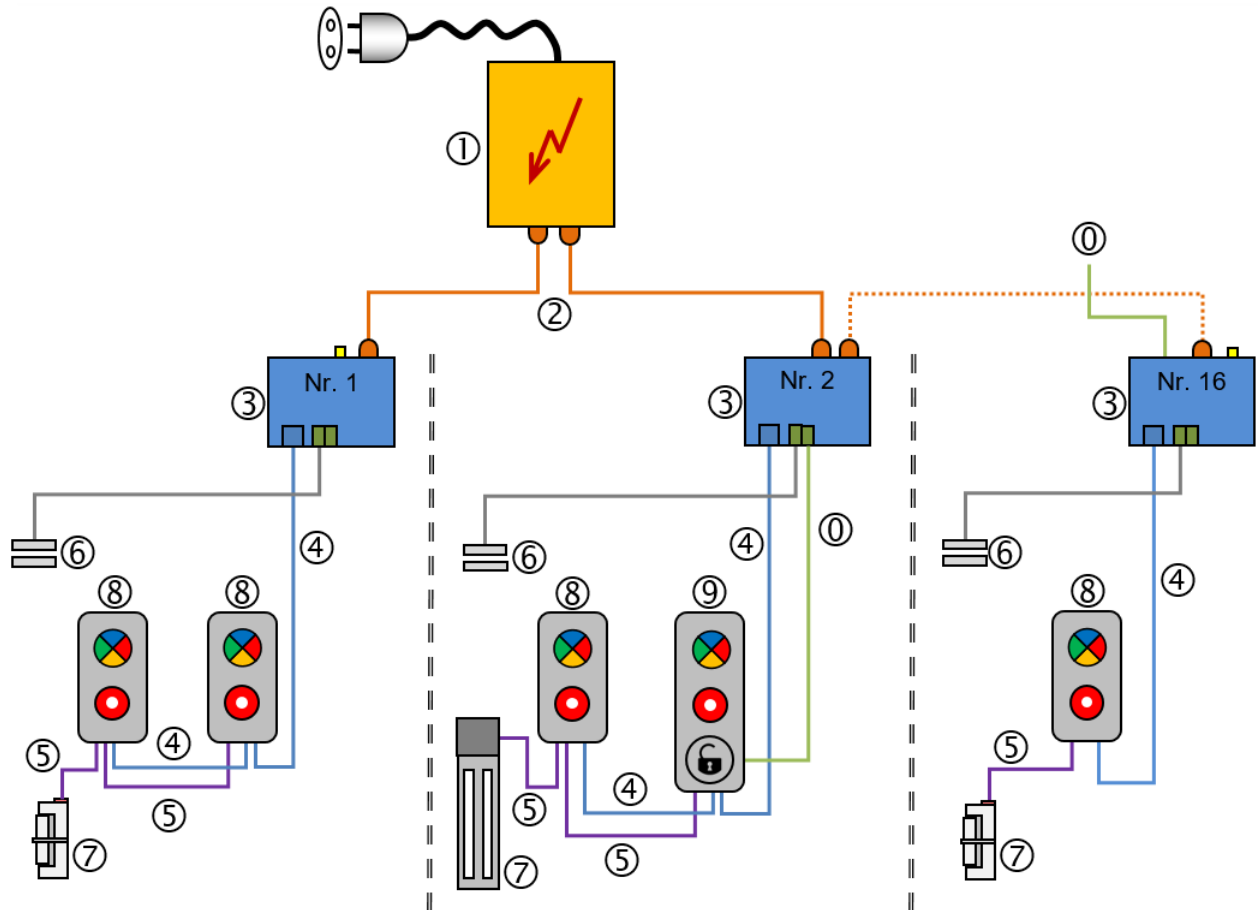
- Door-specific selection of "preferably open" (first win) or "preferably closed" (release buttons and card readers).
- Individual door time delay in seconds and minutes adjustable up to 1 hour.
- Activated emergency stop button visually and optionally acoustically signaled, can also be interrogated via potential-free contact.
- Central unlocking of all doors, for example through the fire alarm system.
- Door-individual or higher-level interlocking set in the function group by BMS or other switches.
- Door opening times that can be individually set for each door can be indicated visually or acoustically.
- Potential-free feedback of each door on its opening state.
- Potential-free feedback of each door on its locking state.
- Integration of gate and door drives possible.

No special tools, hardware or software components, computers or programming skills are required for installation and parameterization.

This system has been type tested according to EItVTR (Directive on electrical locking systems for doors in escape routes) of Building Regulation List A (1.6.19).

This system is designed and built according to CE. Use in countries outside the scope of application must be checked on a case-by-case basis.

Schematic structure of the system



Components (exemplary structure)

- ① Safety transformer 230 V AC / 24 V DC
- ② Cabling control units shielded (ready to plug in, shown in orange)
- ③ Control unit (one unit per door)
- ④ Cabling of door panel Cat.6, RJ45 (ready to plug in, shown in blue)
- ⑤ Safety cable (ready to plug in, shown in violet)
- ⑥ Reed contact, door closer contact
- ⑦ Locking element (electric door opener, magnetic clamp)
- ⑧ Door panel with LED traffic light (RGB) and emergency stop button (illuminated, latching)
- ⑨ Door panel in special design with additional enabling button
- ⑩ Cabling of additional components (wire end ferrules, shown in green)

