

Product data sheet

MUTE+[®] board S24-B

Sound absorber
made of polyester



MUTE+[®] board S24-B

Sound absorber made of polyester, baffle, 24 mm

The MUTE+[®] board S24-B sound absorbers create a pleasant silence in your rooms - the baffles can also be retrofitted. The baffles, which hang vertically from the ceiling, are available in five different colours. The polyester absorbers are characterised by their sustainability: they are recyclable, free of mineral fibres and tested for harmful substances in accordance with Oeko-Tex[®] Standard 100. The individual elements are available in lengths of up to 3,000 mm and can also be combined with each other on request.

- sound absorber class: D - C
- free of mineral fibre, suitable for people suffering from allergies
- tested for harmful substances according to Oeko-Tex[®] standard 100
- 100 % recyclable
- 100 % reusable
- 90° corners, alternatively rounded corners



Technical data

Shape	rectangular
Corner	90°
Material	polyester
Weight	approx. 3,000 g/m ²
Serviceability	removable without tools
Design options	digital print, engraving



Fire protection

Building material class

Building material class	DIN 4102	B1
-------------------------	----------	----

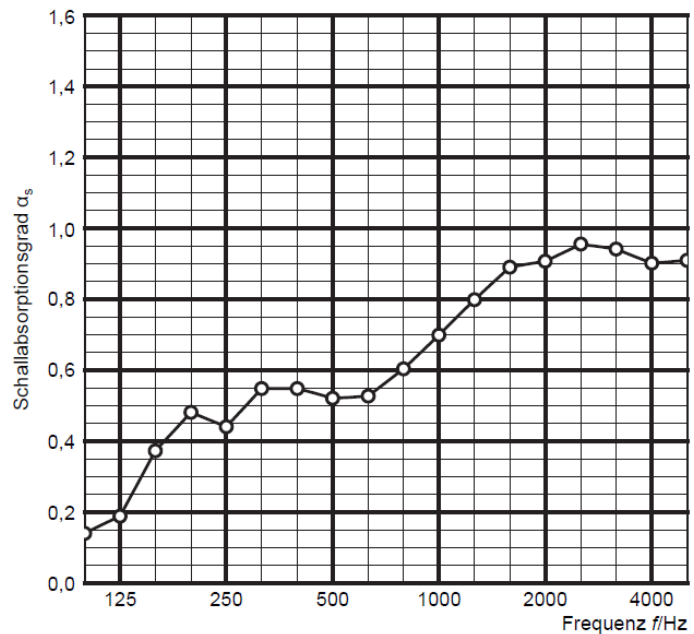
Acoustics

Room acoustics

Rated sound absorption coefficient	DIN EN ISO 354	α_w	0.30 - 0.65 (H)
Sound absorber class	DIN EN ISO 11654		D - C

Example: 3.000 x 200 mm, centre distance 200 mm, total construction height 200 mm

Frequency f/Hz	α_s Third	α_p Octave
100	0.14	0.25
125	0.19	
160	0.37	
200	0.48	0.50
250	0.44	
315	0.55	
400	0.55	0.55
500	0.52	
630	0.53	
800	0.60	0.70
1000	0.70	
1250	0.80	
1600	0.89	0.90
2000	0.91	
2500	0.96	
3150	0.94	0.90
4000	0.90	
5000	0.91	



Room acoustics calculator

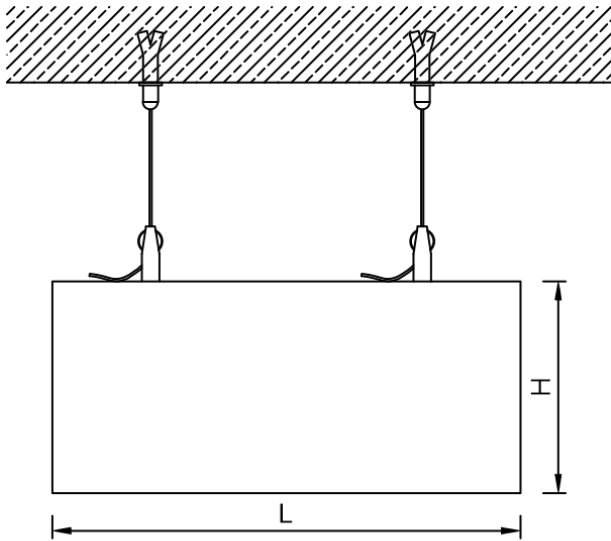
Over 150 tested acoustic measurements of our MUTE+[®] sound absorbers, including integrated audio simulation, are available in the room acoustics calculator.



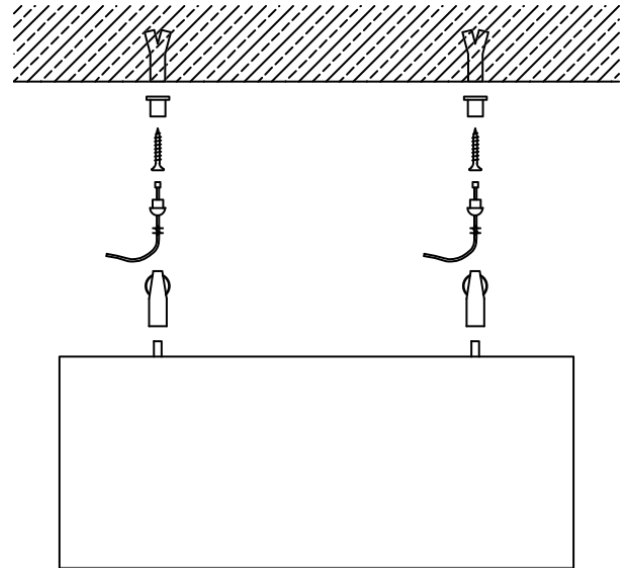


Installation

Standard version



Exploded view



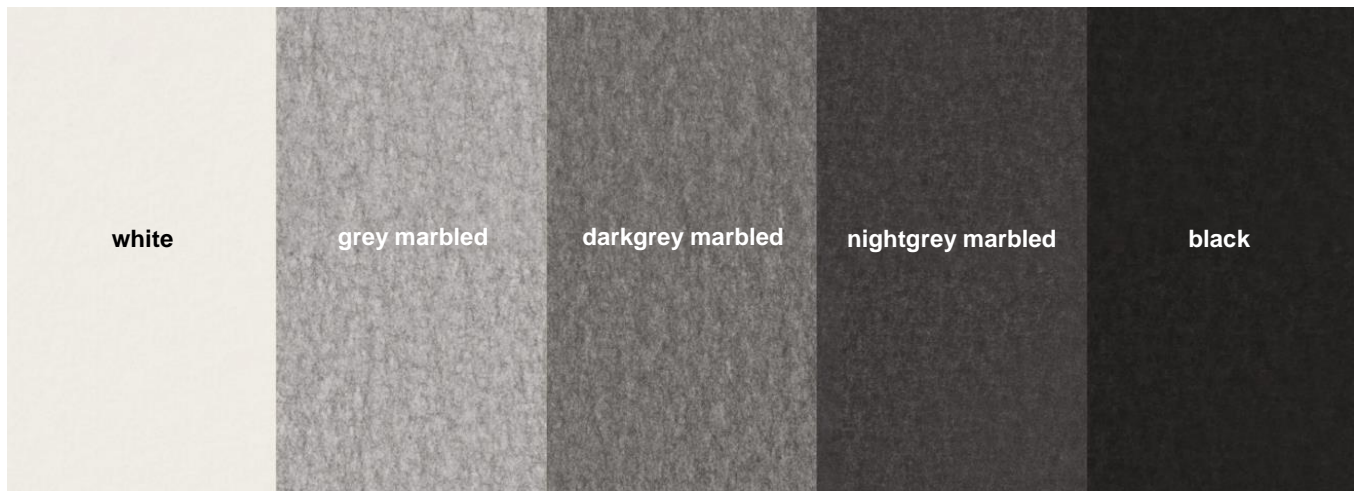
Notice: Fastenings may vary and are shown as examples.

Detail drawings for architects of the MUTE+® sound absorbers can be found in the [CAD portal](#).





Surfaces



Material	polyester	
Gloss level	white	4 - 5 GU
	grey marbled	3 - 4 GU
	darkgrey marbled	2 - 3 GU
	nightgrey marbled	1 - 2 GU
	black	1 - 2 GU

Notice: Other colours can be requested on a project-specific basis.
 The visual appearance of the surfaces may vary depending on the monitor, print, lighting conditions and other environmental factors. Why not take the opportunity to order a sample and see for yourself how it meets your expectations.



Project solutions

This product data sheet refers to the standard version of the product mentioned above.
 We would be happy to work with you to find the right solution for your project. Adapted to your building project, you will receive a perfectly matched system. Project-specific constructions and adaptations can be found in the offer documents.